

SLUDGE PRO®
DISC PUMPS
6SDWP-SS™

BENEFITS

TRANSFER FROM
0-127 GPM

MAX. HEAD TO 184'
(80 PSI)

NO REGULAR
MAINTENANCE
REQUIRED

TWO YEAR LIMITED
WARRANTY*

IDEAL FOR ABRASIVE,
VISCOUS AND SHEAR
SENSITIVE MEDIA

RUNS DRY = NO DAMAGE

SELF PRIMING PUMP

HIGHER OPERATING
PRESSURE

NEXT GENERATION DISC
PUMP TECHNOLOGY

*Contact factory for warranty details.

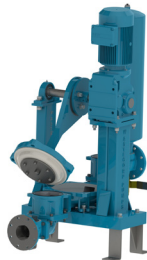


Patent Pending

**THE WAIT IS OVER FOR A MORE ADVANCED
DISC PUMP.**

Sludge Pro® disc pumps are designed for a wide range of slurry and sludge process applications for the municipal, industrial, chemical and food processing industries. These durable leak-free pumps are self priming and can run dry without damage for uncompromising pumping reliability. Select from standard direct drive, belt driven, air, hydraulic and engine drive systems.

SLUDGE PRO® 6SDWP - DISC PUMPS



Advanced Disc Pump Technology

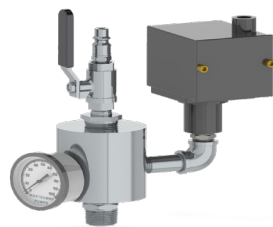
- Seal-less, glandless & leak free design
- OSHA compliant Guard
- Over six models to select from



Innovative Trunnion Options

Not all pumping applications are alike, that's why Wastecorp offers you the right elastomer for your application including:

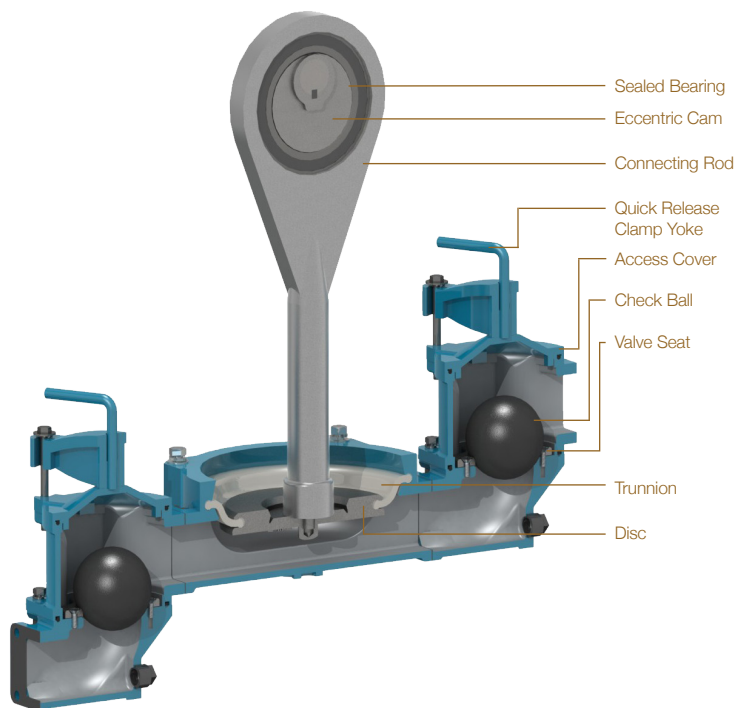
- Santoprene®
- Teflon®
- Buna-N®
- Nordel®
- Viton®
- Neoprene



Pressure Sensor Assembly

Provides safe protection against dead heading, closed valves or other discharge blockages that can damage the pump. Also permits direct charging of pulsation dampener and access for cleaning.

CUT AWAY



TECHNICAL SPECIFICATIONS

| | |
|----------------------------|--------------------------|
| Model | Sludge Pro® 6SDWP |
| Connection Size | 6" 150# Flanged |
| Typical Flow Range | 0-127 GPM |
| Solids Handling | Max 1¼" |
| Displacement | 1.15 gal/rev |
| Max. Suction Lift | 25' |
| Max. Discharge Head | 184' (80 psi) (5.1 bar) |
| Max. Liquid Temp. | 350°F (176°C) |
| Operating Speed | up to 110 RPM |

MATERIALS OF CONSTRUCTION

| | Standard | Optional |
|-----------------------------------|--|--|
| Trunnion | Neoprene (TPE) 0°F to 200°F | Santoprene -40°F to +225°F Buna-N® +10°F to +180°F Viton® -40°F to +350°F Teflon® (PTFE) +40°F to +220°F Nordel® -60°F to +280°F |
| Discs | Ductile Iron, ASTM A 536, Grade 65-45-12 | |
| Ball Valve | Urethane | Teflon® |
| Sectionalized Construction | Cast Iron ASTM A48 Class 30 | See Coating Options Below |
| Eccentric Cam | Ductile iron ASTM A 536, Grade 65-45-12 | |
| Drive Shaft | 400 Series SS | |
| Connecting Rod | Ductile iron ASTM A 536, Grade 65-45-12 | |
| Base Frame | Heavy Duty Fabricated Steel | 304SS, Galvanized Steel, 316 SS |

DRIVE SYSTEM OPTIONS

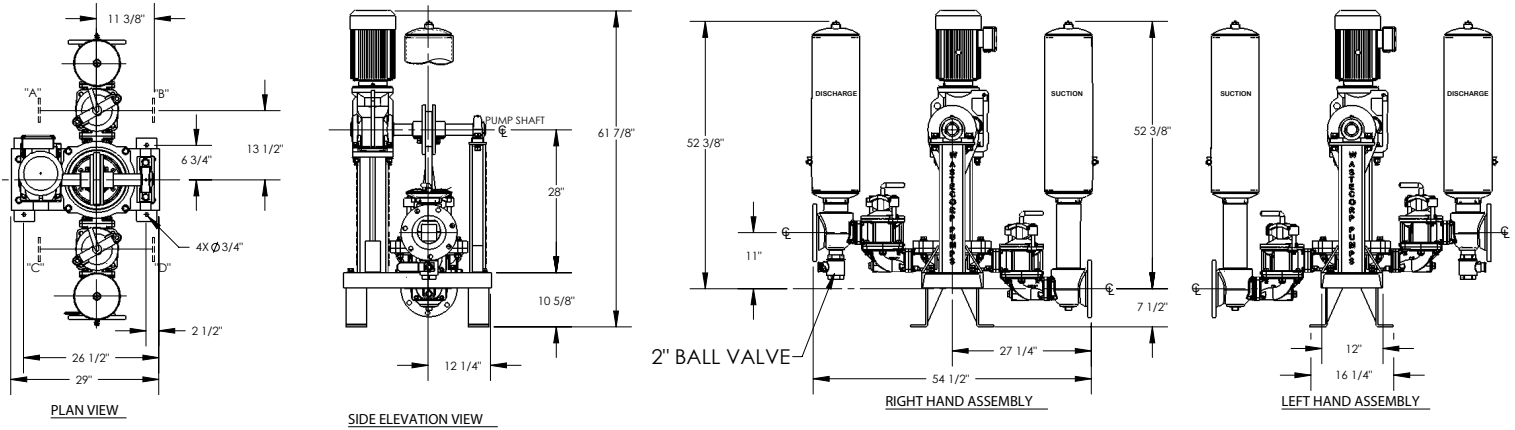
| | |
|----------------------|-----------------------------|
| Direct Dive | Electric Motor |
| Optional | Air, hydraulic, belt driven |
| Engine Driven | Gas or diesel |

Note: Consult factory for applications exceeding maximum pressure and/or temperature indicated.

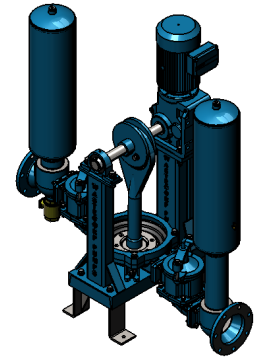
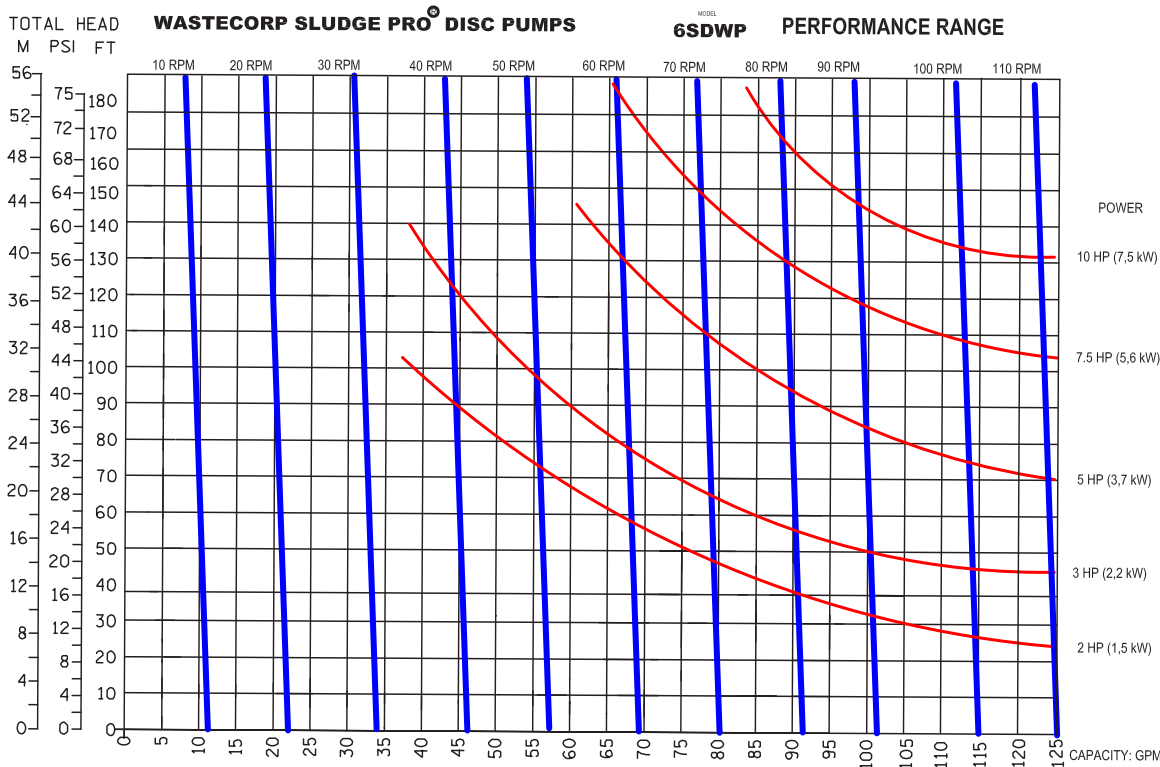
WETTED CASTING COATING OPTIONS

Xylan, ETFE / PTFE, Dura-S, Nitrile, Neoprene, Nordel, Viton, Hypalon

APPROXIMATE PUMP DIMENSIONS



PUMP CURVE



ISO ELEVATION VIEW

SUCTION LIFTS

Dry Prime Static Suction Lift: 25' (7.62m)
Wet Prime: 25" Hg 28.4' (8.6m)

CURVE NO.: 63912-00 MODEL: 6SDWP

SIZE: 6" x 6" RPM: VARIOUS

SP. GR.: 1.0 @ 68°F

Displacement Per Stroke: 1.15 Gal/Revolution