



THE HV-800™

HEAVY DUTY HYDRO-EXCAVATION EQUIPMENT.

The Wastecorp HV-800 Series Hydro excavation trailer changes the perception that hydro vacs have to be large space restrictive machines. The HV-800 is a trailer mounted hydrovac and features most of the same productivity enhancing tools you see on the large hydrovac trucks with blower vacuum pumps like tilt tanks, automated rear door openers, tool racks and high CFM suction power. Wastecorp trailer are budget savers for your municipal or industrial fleet.

FEATURES:

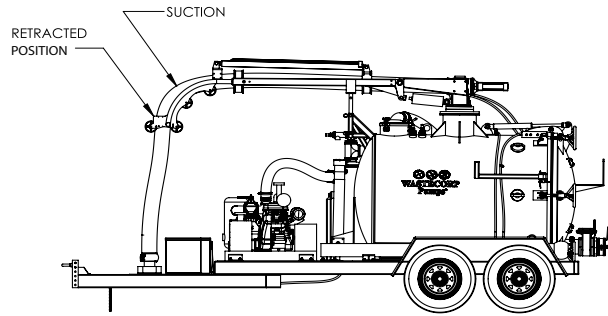
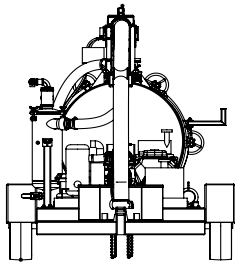
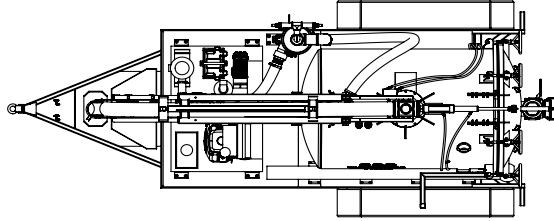
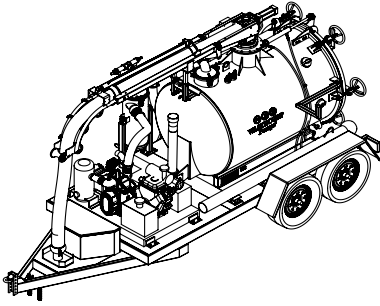
- 540 CFM - 3500 CFM vacuum blower pump available
- 800 US gallon steel tank
- 4" – 16' boom hose
- 9' boom with 24" of hydraulic extension
- Tool rack
- Hydraulic tilt and automated door opening

THE SUPER DUTY IS MADE FOR:

- Pot holing
- Hydro Excavating*
- Utility Construction
- Slot trenching
- Sewer Cleaning
- Ground Excavating
- Storm drain, catch basin pumping and cleaning

Hydrovac Trailer Project Assistance

When you place an order with Wastecorp for hydro excavation equipment you and your team get dedicated support from start-finish. Wastecorp works with you to get the equipment you need, along with the accessories and tools required. Product support and training are also available.



SUPER DUTY® HYDROVAC TRAILERS

Designed and Manufactured by Wastecorp Pumps in USA and/or Canada.

Toll-Free: 1.888.829.2783 Email: info@wastecorp.com
International: +1-201-445-2882