

Mud Sucker®  
Diaphragm Pumps

## 2FA-EC Series

Multipurpose  
Diaphragm Pumps

1.5FA-EC™

2FA-EC™

### FEATURES

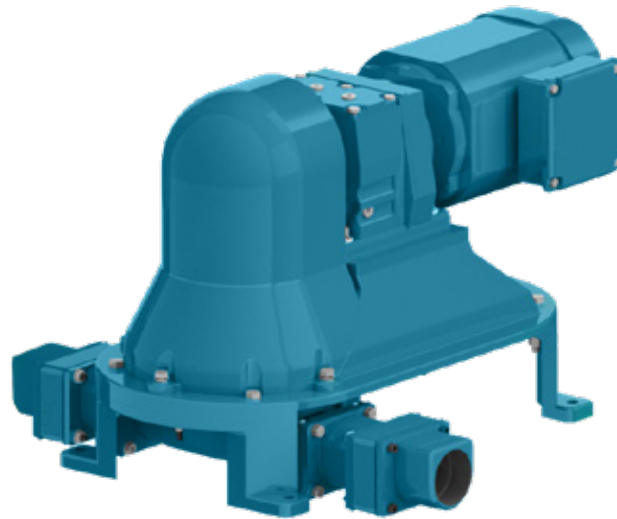
Pump up to 20 GPM

Transfer spherical solids up to  
1.5" or 50% by volume

Pump weighs under 80 lbs

7" heavy duty diaphragm

Marine grade aluminum pump  
body

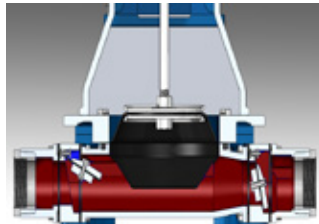


  
**WASTECORP.**  
Pumps®

## Multipurpose Electric Pump Users Have Never Had A Pump So Good.

To engineer the third generation Mud Sucker 2FA-EC electric pump series available with a 1½" or 2" connection, Wastecorp set out to see how our customers use it. From general wastewater pumping to vegetable oil, used motor oil, marina's pumping bilge waste the 2FA-EC sees a lot of applications -- it's rated as one of the top multipurpose 2" electric pumps anywhere. The 2FA includes an enhanced velocity channel to move fluids and a higher tensile strength components like fabric reinforced Viton flappers and check valves. Plus, application specific components are available for the food processing, oil and gas and marine industries.

### Make Pumping Tough Fluids Easier



#### INNOVATIVE THINKING IN PUMP DESIGN

No detail gets overlooked in our pump design process. Mud Sucker velocity channel's prevent clogging and premium components keep you pumping longer



#### ENERGY EFFICIENT BY NATURE

Finding innovative solutions to saving energy and lowering emissions is part of the Wastecorp commitment. Mud Sucker drive systems require less power to pump effectively.



#### MULTIPLE CONFIGURATION OPTIONS

Stand alone units or packaged pump systems. We can help you plan a solution for your unique fluid handling environment.

### WHAT THIS MEANS TO YOU.

Owning a Mud Sucker is like having a pump expert with you on site. These are intelligent pumps not to be confused with throw away makes.

Your facility saves on energy costs while respecting the environment. You get unbeatable pumping power at the same time.

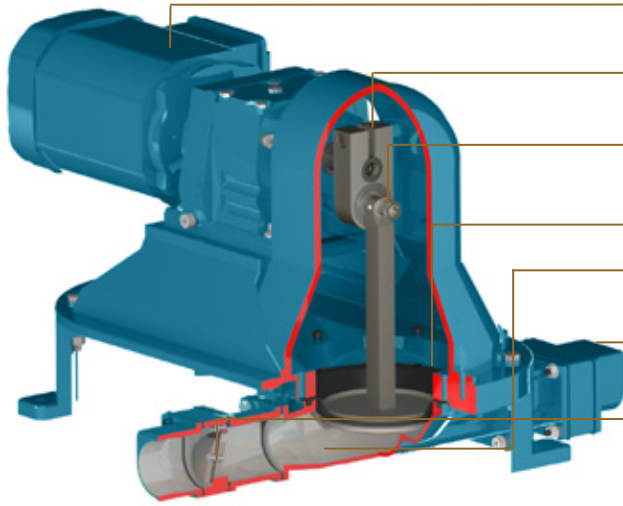
We design, build and manufacture your pump systems. Expert support and advice makes all the difference.

MUD SUCKER® DIAPHRAGM PUMPS THE PUMP WITH ATTITUDE.

[wastecorp.com](http://wastecorp.com)

## Meet The Mud Sucker 2FA Series

Multipurpose Electric Diaphragm Pumps  
Engineered for Tough Applications



- Premium Siemens®, SEW Eurodrive® or equivalent three phase drive system
- Heavy duty crank arm to pump the tough stuff at 20 GPM (max).
- Heavy duty pump rod design ensures consistent flow and performance
- 7" BUNA-N® diaphragm
- Exclusive Wastecorp engineered velocity channel to move fluids without clogging
- Lightweight marine grade aluminum pump body
- High performance fabric reinforced Viton® flapper valves for long life cycle pumping

### Performance Range

Max. capacity	20 GPM
Max. suction lift	20' vertical or 75' horizontal
Max. discharge head	50' vertical or 300' horizontal
Solids handling	1½" dia or 50% by volume

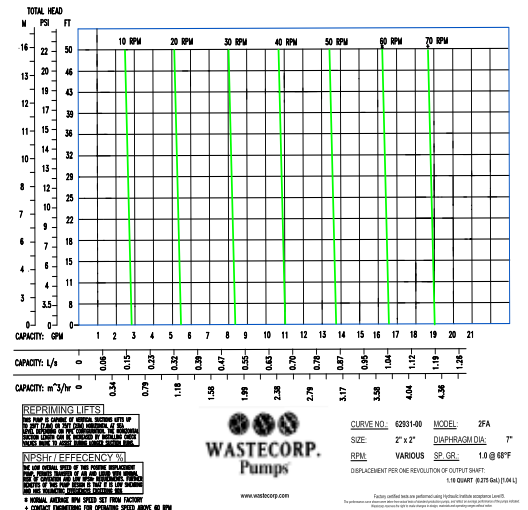
### Pump and Motor Specifications

Suction inlet/outlet size	1.5" or 2"
Max. liquid temperature	140 °F (60 °C) continuous
Pump body casing	Marine grade aluminum (ASTM A356, Class 30)
RPM speed of diaphragm	61
Diaphragm	7" dia. fabric reinforced Buna-N
Flapper valves	Fabric reinforced Viton
Gearbox	SEW Eurodrive or Siemens - cast iron housing with heat treated gears
Hardware	Zinc plated
Rod end bearing body	Carbon steel, protective coated for corrosion resistance
Ball bearing	Sintered steel, heat treated, oil impregnated
Ultimate radial static load capacity	9,000 Lbs

### Motor Specifications

Description	Part No.	Motor Option
Standard motor (TEFC)	62678-00	1 hp, 1800RPM/3/60/230-4
Single Phase (TEFC)	62678-10	1 hp, 1800RPM/1/60/115-2
Explosion Proof (Three phase), TEXP	62678-20	1 hp, 1800RPM/3/60/230-4
Explosion Proof (Single phase), TEXP	62678-30	1 hp, 1800RPM/1/60/115-2
12 V DC Power	62678-40	1 hp, 1800RPM/12V DC TEF
24 V DC Power	62678-50	1 hp, 1800RPM/24V DC TEF

### Performance Curve



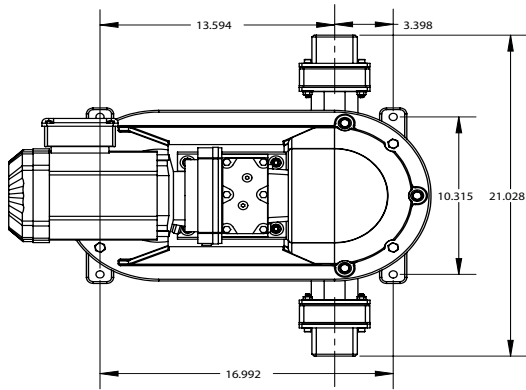
**WASTECORP.**  
Pumps®  
OEM Manufacturer

## Mud Sucker® Diaphragm Pumps

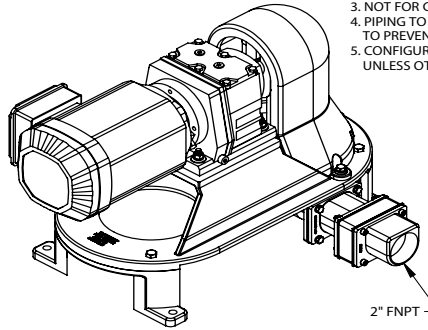
Toll-Free: 1.888.829.2783 Email: info@wastecorp.com

Mud Sucker 2FA Series pumps are specified for marine pumping applications, waste oil pumping, leachate recovery, dewatering, biodiesel production and many other applications. Mention your application to your technical support representative at the time of order. Before operating your diaphragm pump, read, understand and follow all instructions in the manual and on the pump. Specifications and programs are accurate at the time of publication but subject to change without notice. Images may not reflect dealer inventory and/or unit specifications. Wastecorp, Mud Sucker and globes are trademarks of Wastecorp, WPCI Environmental Brands. No reproduction of this document without permission. © Wastecorp.

## Mud Sucker 2FA-EC Series General Dimensions

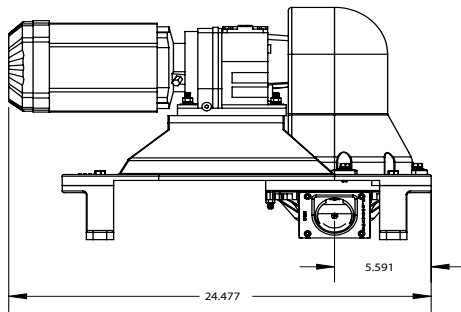


PLAN VIEW

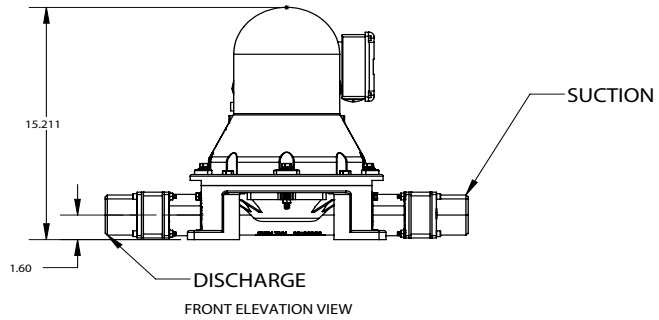


ISO ELEVATION VIEW

- NOTES:
1. ALL DIMENSIONS ARE IN INCHES.
  2. CUSTOMER RESPONSIBLE FOR ALL INSTALLATION WORK, PROVIDE CONCRETE FOUNDATION AND ANCHOR BOLTS.
  3. NOT FOR CONSTRUCTION PURPOSE UNLESS CERTIFIED.
  4. PIPING TO PUMP MUST BE COMPLETELY SELF-SUPPORTING TO PREVENT STRAIN ON PUMP CASTINGS.
  5. CONFIGURATION (A) SHALL BE SUPPLIED UNLESS OTHERWISE INDICATED.

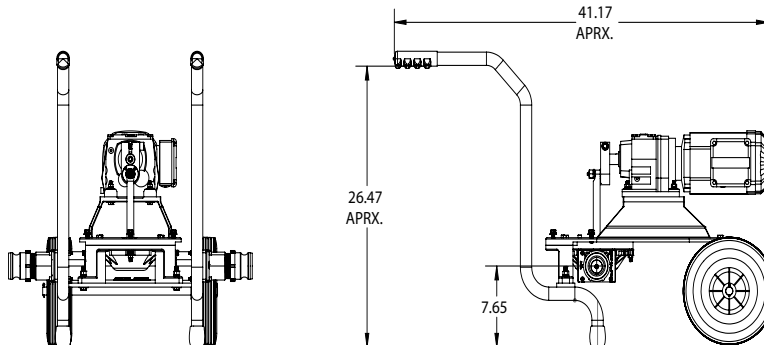
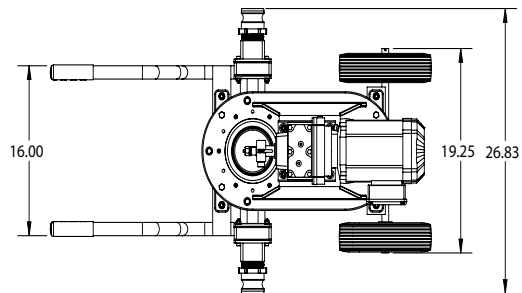


SIDE ELEVATION VIEW





















FRONT ELEVATION VIEW

## Mud Sucker 2FA-EC Series (Wheel Kit Option) General Dimensions





# ACCESSORIES

Part no.	Description	Part no.	Description
	19022-00 <b>Recommended!</b> Pressure relief valve, bronze set at 40 psi		61315-00 Wheel mount kit with handles
	61285-00 Basic spare parts kit (diaphragm and flappers)		62538-00 Mobility package (stationary) lifting bars
	61284-00 Comprehensive spare parts kit (diaphragm, flappers gaskets, weights and hardware)		62742-00 Air chamber assembly. Pulsation dampening
	60718-00 Non-collapsible EPDM hose 2"x20'. Camlocks included		Various Wet section coatings for specific applications
	51333-10 Discharge hose, lay flat (brown) 2"x50'. Camlocks included		62301-00 SEW Movimot 24V key pad speed control
	34383-00 Stainer, sq. hole (solids) 2" FNPT		61492-00 Starter Control Panel w/ NEMA 12 protection
	61387-00 Universal sewer adapter assembly		61491-00 Transformer start/estop, w/ Nema 12 overload protection
	60536-00 Clear swing check valve 2" FPTxFPT		62974-00 3-way brass valve w/ aluminum camlocks
	60462-00 Camlock fitting 2" alum. male adapter MNPT		60506-00 The Gulper™ Suction tool No more bending