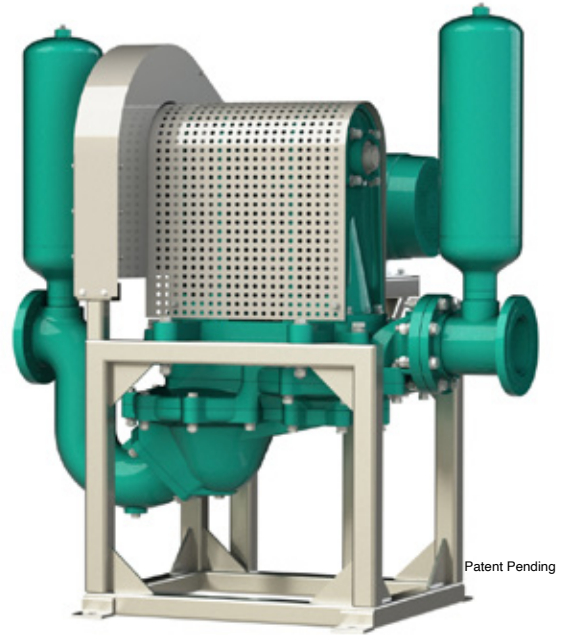


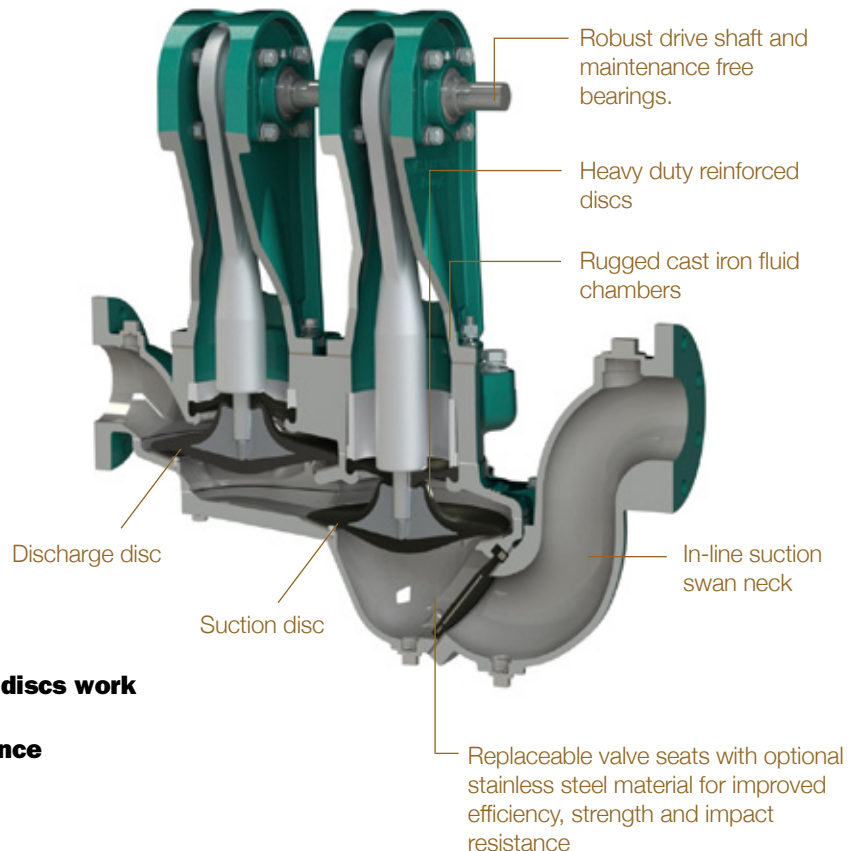
FOR TOUGH PUMPING JOBS, NOTHING BEATS A SLUDGE PRO PUMP

- No regular maintenance required
- Runs dry without damage
- Maintain-in-place Guide Pilot®
- Seal-less, gland-less design
- No packing or mechanical seals
- Low shear positive displacement performance
- No close tolerances
- Low friction design
- No rubbing action, allows pump to transfer highly abrasive slurries



GENERAL APPLICATIONS

- Primary sludge pump
- Thickened sludge transfer
- Rotary press feed
- Screw press feed pump
- Waste activated sludge
- Scum transfer
- Belt filter press feed
- Industrial slurry and sludge transfer
- Centrifuge feed
- Food process slurries



Induced double acting discs work in unison to achieve non-clogging performance



TECHNICAL SPECIFICATIONS

Model	Sludge Pro® 6DDMK
Connection Size	6" 150# Flanged
Typical Flow Range	0-550 GPM
Solids Handling	Up to 2¼" solids
Max. Discharge Head	75 psi
Operating Speed	up to 400 RPM

MATERIALS OF CONSTRUCTION

	Standard	Optional
Trunnions & Discs Includes multi-layer fabric reinforced internals	Neoprene (TPE) -10°F to 200°F	Buna-N® +10°F to +180°F Viton® -40°F to +350°F HNBR® +10°F to +220°F EPDM +10°F to +280°F
Pump Bodies & Swan Neck	Cast iron	
Clack Valve	Neoprene	Buna-N, Viton, EPDM, HNBR
Pedestal Tower	Aluminum	
Eccentric	Bronze alloy	
Pump Shaft	416 Series Stainless steel	
Connecting Rods	Aluminum	
Base Frame	Heavy Duty fabricated steel	304SS, 316 SS, Galvanized Steel,

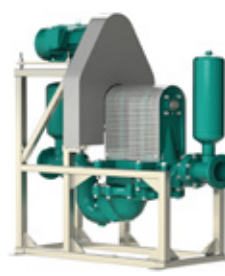
DRIVE & MOUNTING SYSTEM OPTIONS

Standard: Side mount belt driven	Electric Motor
Optional	Piggy back or direct drive rotating frame, hydraulic, engine or pneumatic

CONFIGURATION OPTIONS



Side Mount Belt Driven (Standard)

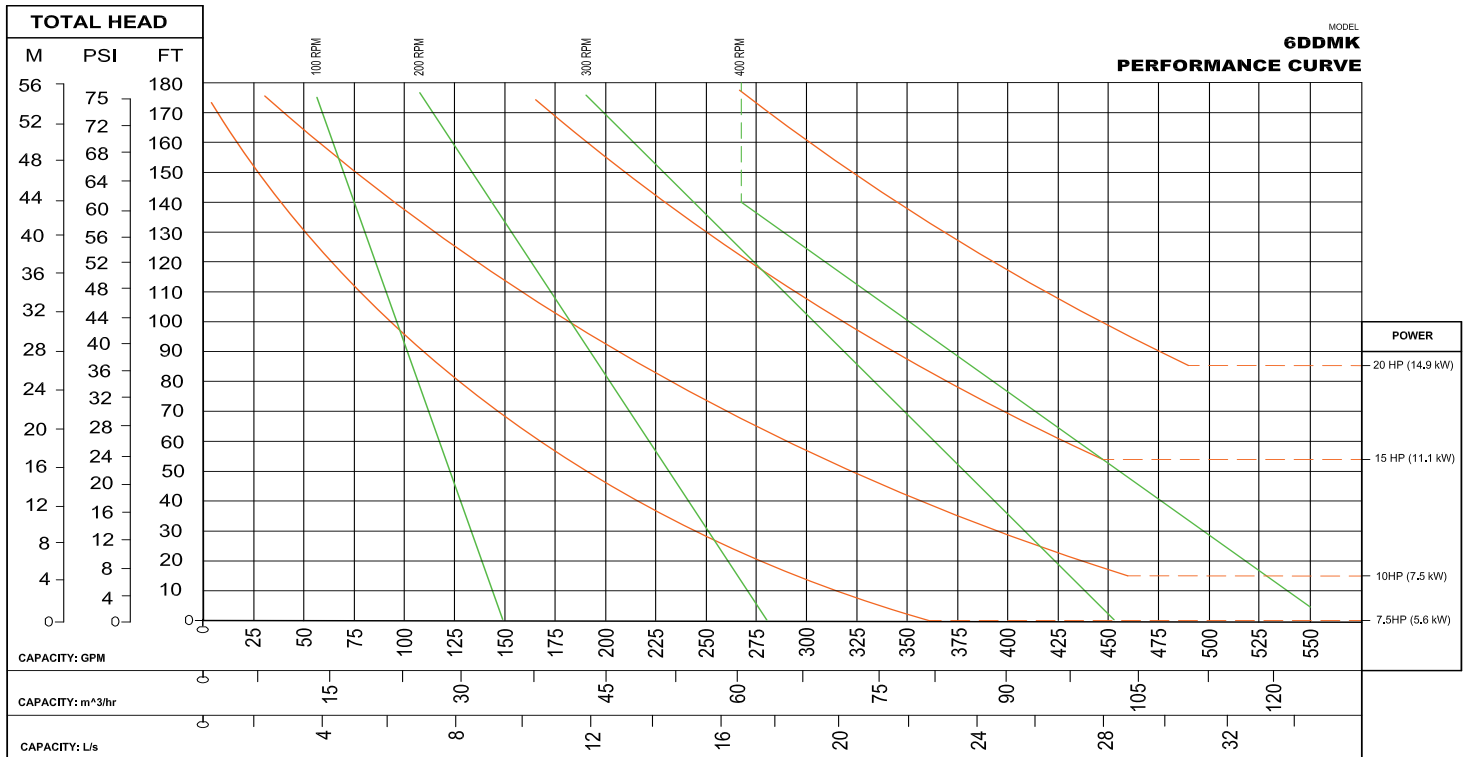


Piggy Back Configuration



Direct Drive With Rotating Frame

PUMP CURVE



SUCTION LIFTS
 Dry Prime: 7' (2.2m)
 Re-prime: 18' (5.5m)
 Flooded Suction: 28' (8.5m)

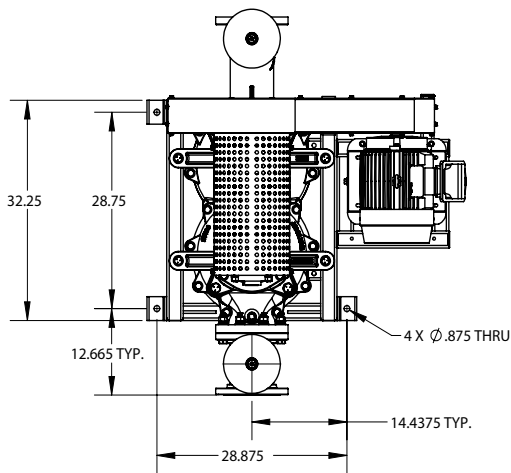
MODEL: 6DDMK
SIZE: 6" x 6" **RPM:** VARIOUS
SP. GR.: 1.0 @ 68°F **SOLID PASSAGE:** ϕ 2-1/4"
Displacement Per Stroke: 1.12 gal/rev @ 60 ft/ 200 rpm

Sludge Pro® and Wastecorp® are registered trademarks of Wastecorp Pumps Inc. Specifications and dimensions are subject to change without notice. Wastecorp is not liable for any incompleteness or inaccuracies. Wastecorp is not liable for any consequential, incidental or indirect damages relating to these specifications or their use.

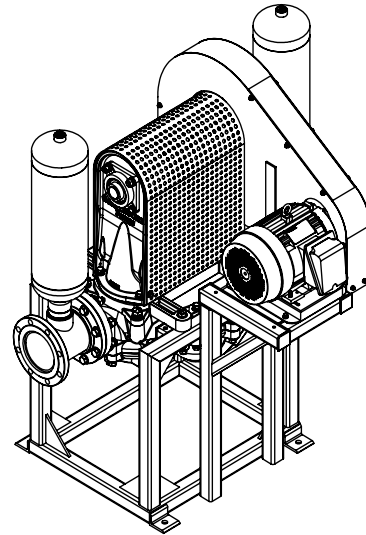
Curve based on water (specific gravity = 1.0), with 10 foot static lift. The performance curve shown were taken from actual tests of standard production pumps, and reflect an average performance of the pump indicated.

14842000-003

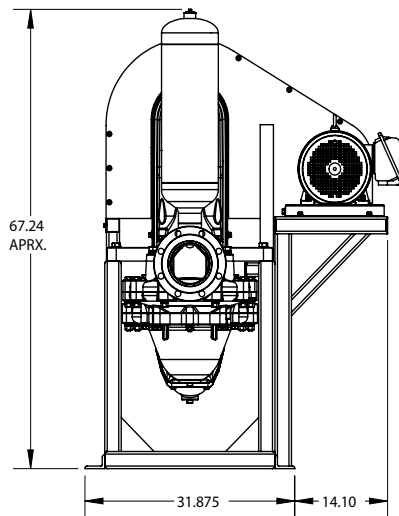
APPROXIMATE PUMP DIMENSIONS - SIDE MOUNT BELT DRIVEN (STANDARD)



TOP PLAN

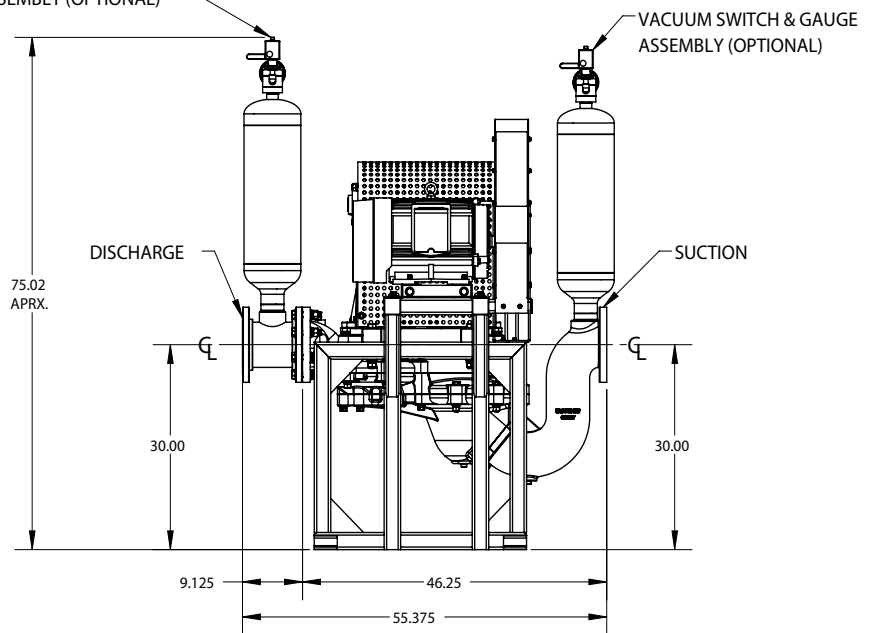


ISO ELEVATION



FRONT ELEVATION

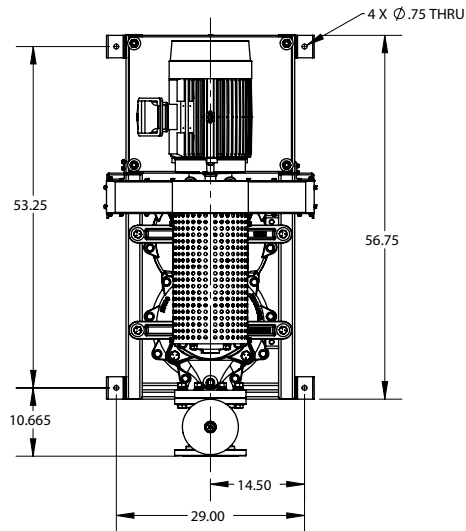
PRESSURE SWITCH & GAUGE ASSEMBLY (OPTIONAL)



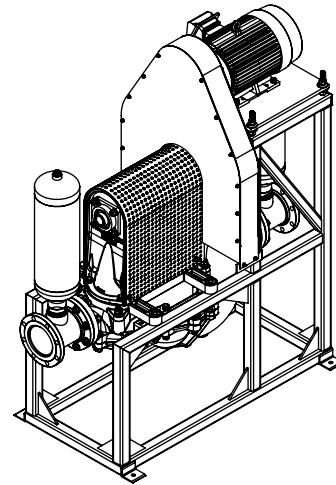
SIDE ELEVATION

Approximate Weight: 2200 lbs.

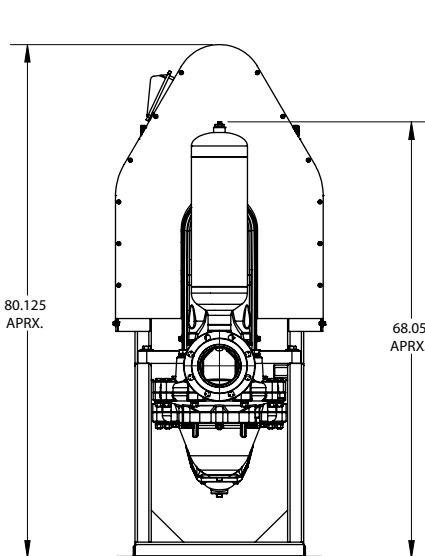
APPROXIMATE PUMP DIMENSIONS - PIGGY BACK MODEL (OPTIONAL)



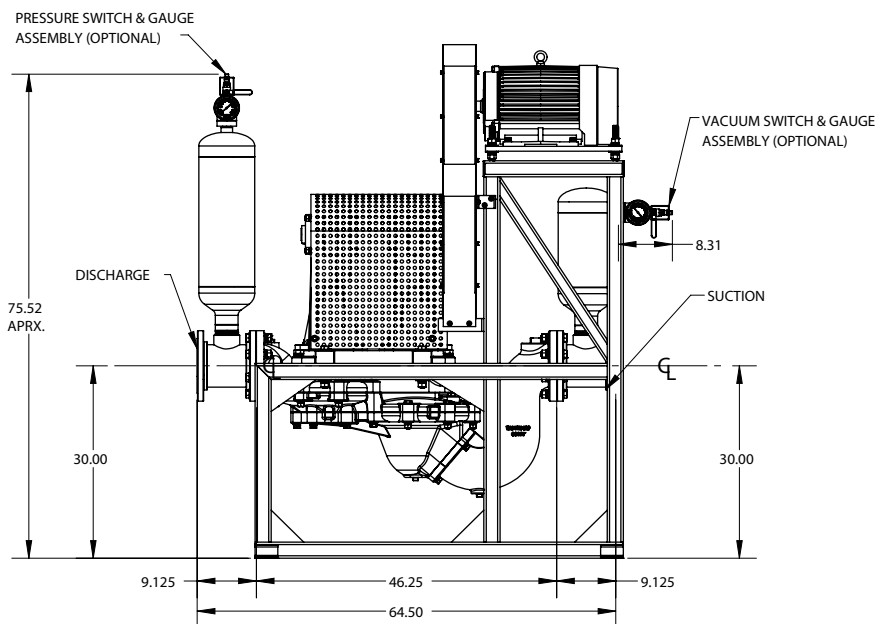
TOP PLAN



ISO ELEVATION



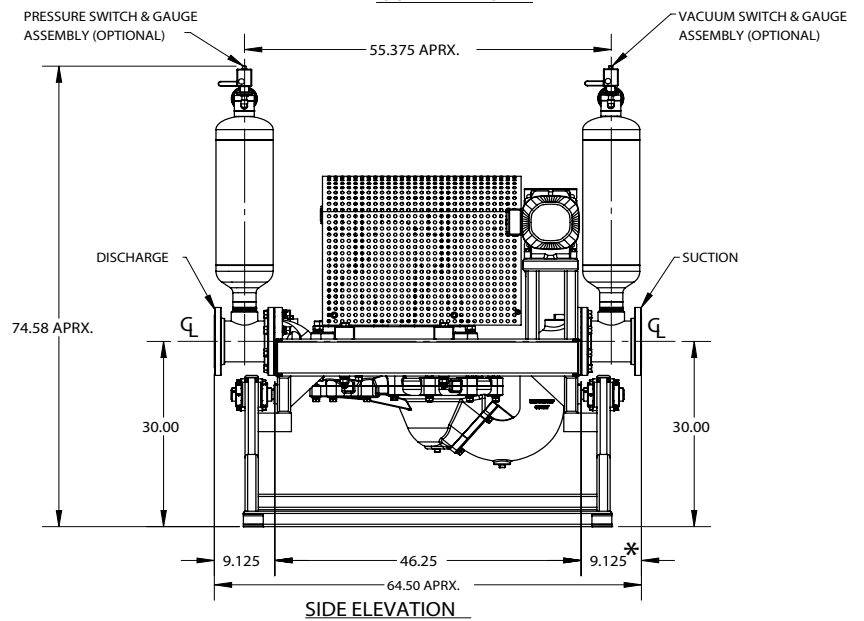
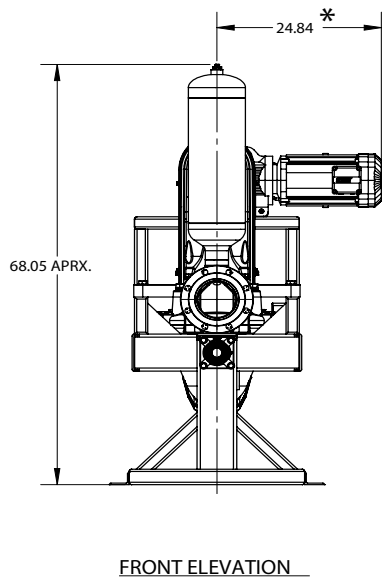
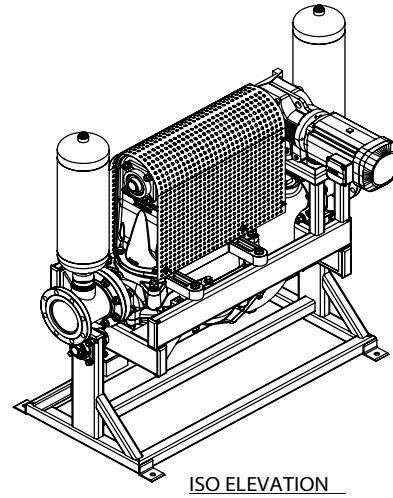
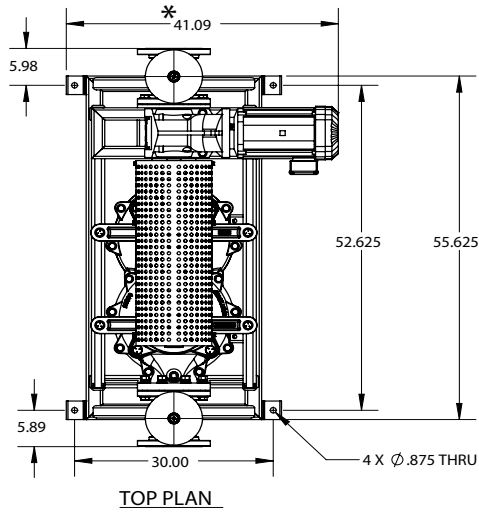
FRONT ELEVATION



SIDE ELEVATION

Approximate Weight: 2200 lbs.

APPROXIMATE PUMP DIMENSIONS - DIRECT DRIVE WITH ROTATING FRAME (OPTIONAL)



Approximate Weight: 2200 lbs.