

SLUDGE MASTER®
HEAVY DUTY PLUNGER PUMPS
PE SERIES

PUMP MODELS

PE 1141 Simplex

PE 1142 Duplex

PE 1143 Triplex

PE 1144 Quadruplex

FEATURES

TRANSFER UP TO 495
GPM

160,000 PSI STRENGTH
SHAFTS

SPHERICAL SOLIDS:
1 ¾" (44.45 MM)

MAX PERCENT SOLIDS
@ 68F (20c) ambient temperature:

Industrial Sludge/Slurry: 30%
Dry Weight

Municipal Sludge/Slurry: 15%
Dry Weight

Sand/Clay mix suspended: 70%

Viscosity: 100,000 Centipoise

Specific Gravity: 2.2 to 2.4

SUCTION LIFTS:

Dry Prime: 22" Hg (25 feet)

AIR HANDLING:

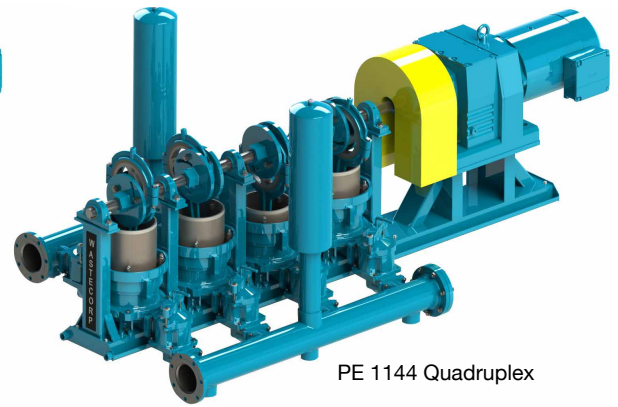
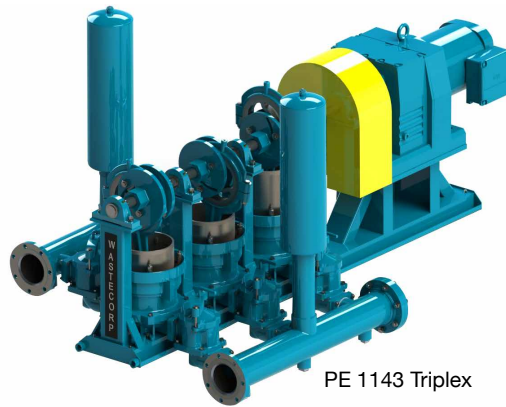
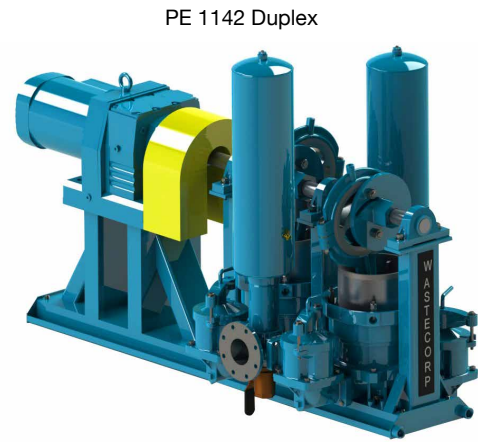
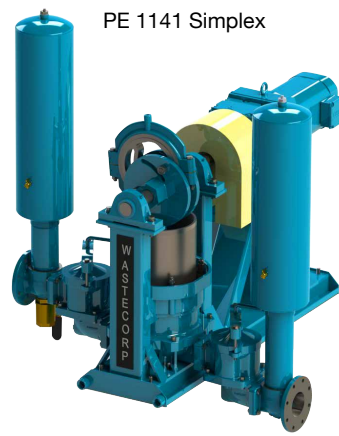
All others – 25 cu. ft./min at
max pressure of 30 psi.

REPLACEABLE BRONZE
INSERT

LOWER COST PARTS

LEAK RESISTANT DESIGN

WASTECORP.COM



YOUR SLUDGE PROCESSING SOLUTION

Primary sewage pumping can be a tough task at wastewater treatment plants. But facilities that use Wastecorp Plunger pumps know that it doesn't have to be a headache. Wastecorp's PE-9 Series plunger pumps are available in simplex through quadruplex pump styles. These pumps are capable of capacities up to 495 GPM against head levels up to 85 feet on a continuous duty basis.

These plunger pumps are an ideal replacement for rotary lobe double disc pumps and progressive cavity pumps because the piping arrangements are similar and the plunger pump requires less maintenance.

| General Specifications | Simplex PE 1141 | Duplex PE 1142 | Triplex PE 1143 | Quadruplex PE 1144 |
|----------------------------------|--------------------|-------------------|--------------------|-----------------------|
| Number of plungers | 1 | 2 | 3 | 4 |
| Plunger dia. (in) | 11 | 11 | 11 | 11 |
| Air chambers | (1) 9"x30" | (2) 9"x30" | (3) 9"x30" | (4) 9"x30" |
| Flanged connections | 4" ANSI 125 # | 4" ANSI 125 # | 6" ANSI 150 # | 6" ANSI 150 # |
| Number of pin positions | 11 | | | |
| RPM Speeds | 50 | | | |
| Max. stroke length (in) | 6.56 | | | |
| Max. rec. suction lift (ft) | 20 | | | |
| Max. total head (ft) | 115 | 115 | 115 | 85 |
| Max. capacity (GPM) | 136 | 247 | 371 | 495 |
| Eccentric dia. (in) | 10 | | | |
| Shaft tensile strength (PSI) | 160,000 | | | |
| Approx. weight less driver (lbs) | 1250 | 2000 | 2800 | 3600 |

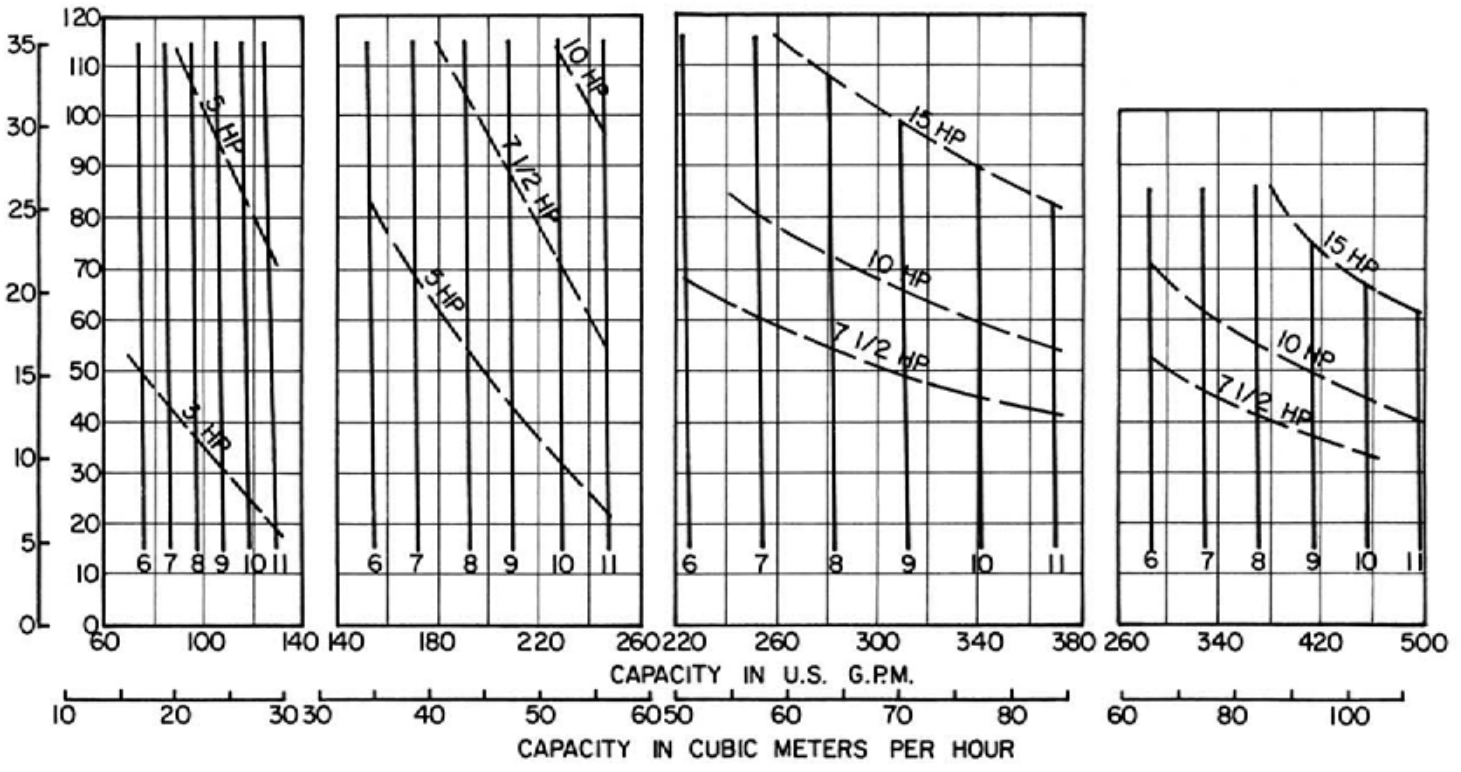
| Pump Component | Standard Material | Optional Material |
|--------------------------------|--|---|
| MAINSHAFT | A4140/4142 High-Strength Alloy Steel | |
| ECCENTRIC | ASTM A48, Class 35 Grey Iron | |
| LUBRICATION | Manual Sight Feed Oiler, 5 oz | a) Automatic ball-type oiler with needle valve (5 oz), b) Electric Solenoid Oiler, c) Mechanical Force Feed Lubricator |
| DRIVEN/DRIVE FLANGES | ASTM A48, Class 35 Grey Iron | |
| AIR CHAMBER | A53 Seamless Steel Pipe, Anodized/Galvanized with ¼" brass air release valve/petcock | 304 or 316 Stainless Steel |
| SHEAR PIN | Fabricated Cold Rolled Steel | |
| CONNECTING ROD | ASTM A536 Grade 65-45-12 Ductile Iron | |
| ECCENTRIC BEARING LINER | Replaceable, Bronze SAE 660 | |
| BUSHING, WRIST PIN | SAE 941 Oil-Lite Bronze | |
| WRIST PIN | A4140/4142 High-Strength Alloy Steel | |
| VALVE SEAT | ASTM A48, Class 35 Grey Iron | Bronze Alloy, 316 Stainless Steel |
| BALL VALVE | 5-1/8" Urethane Rubber with Centralized Iron Core | |
| PUMP BODY | ASTM A536 Grade 65-45-12 Ductile Iron | |
| PLUNGER | ASTM A536 Grade 65-45-12 Ductile Iron | Coatings Available: a) Chrome Oxide, b) Aluminum Oxide, c) Tungsten Carbide, d) Hastelloy C, e) Stainless Steel |
| STUFFING BOX | ASTM A536 Grade 65-45-12 Ductile Iron | |
| GLAND | ASTM A48, Class 35 Grey Iron | |
| FLANGE CONNECTION | 4" ANSI 125 lb (Simplex and Duplex Pumps) | |
| PACKING | ½" sq. Kevlar Braided with Poly-urethane seal | a) Graphite Rings Only, b) Chevron Rings Only, c) Combo (Graphite/Chevron), d) Plunger Pac (Chevron, Teflon and Poly-urethane seal) |
| PUMP BASE | Fabricated heavy-duty steel channel and tube base plate and pedestals with drip gutters and 1" drain connections | Floor Base Frame |
| DRIVE ARRANGEMENT | Electric Constant Speed, Vertical Gear Reducer coupled to pump's mainshaft, Max. Output Speed: 50 RPM | |

PERFORMANCE CURVES

WASTECORP. Plunger Pumps
 SERIES: PE LIQUID: SP. GR. 1.0
 PLUNGER DIA.: 11" (27.9cm) S.P.M.: 50
 DATE 03/01

| PIN POSITION | | 6 | 7 | 8 | 9 | 10 | 11 |
|--------------|--------|------|------|------|------|------|------|
| STROKE | INCHES | 3.86 | 4.40 | 4.94 | 5.48 | 6.02 | 6.56 |
| LENGTH | CM | 9.8 | 11.2 | 12.5 | 13.9 | 15.3 | 16.7 |

TOTAL HEAD IN METERS FEET



PE 1141 Simplex

PE 1142 Duplex

PE 1143 Triplex

PE 1144 Quadruplex

SLUDGE MASTER®

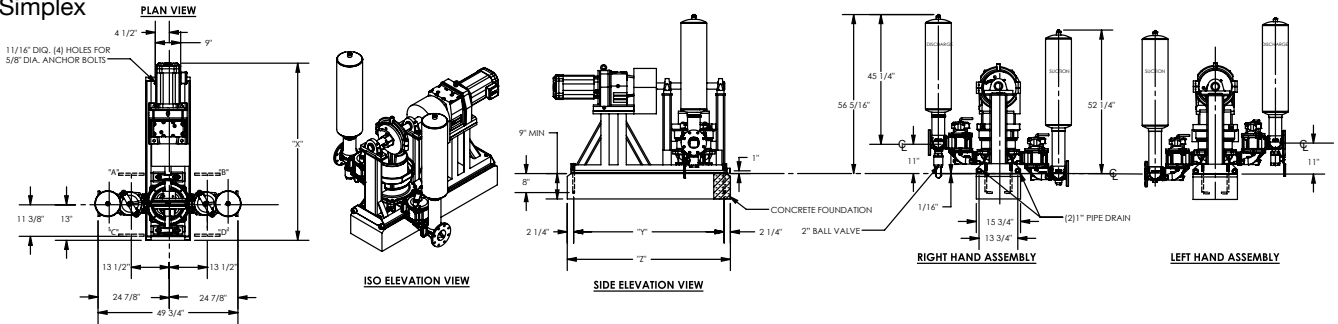
HEAVY DUTY PLUNGER PUMPS

PE SERIES

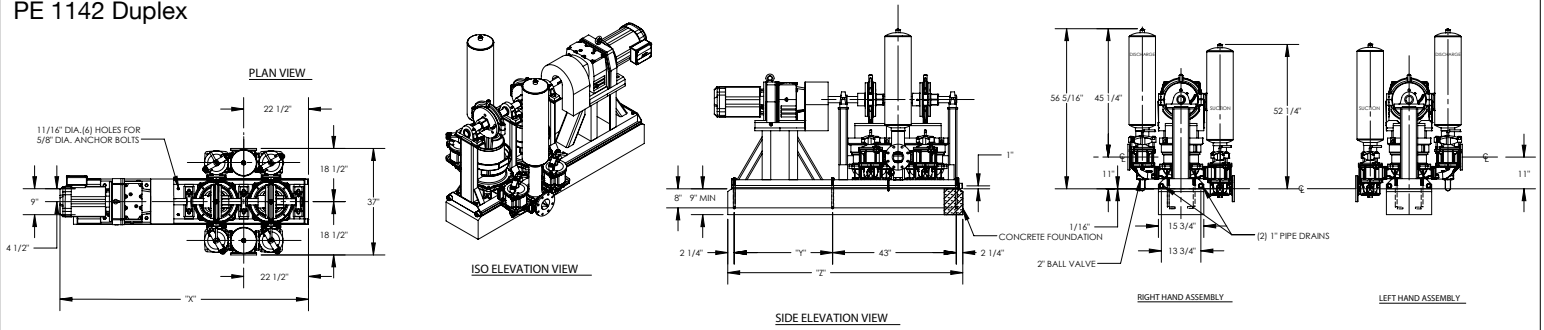


DIMENSIONAL DRAWINGS

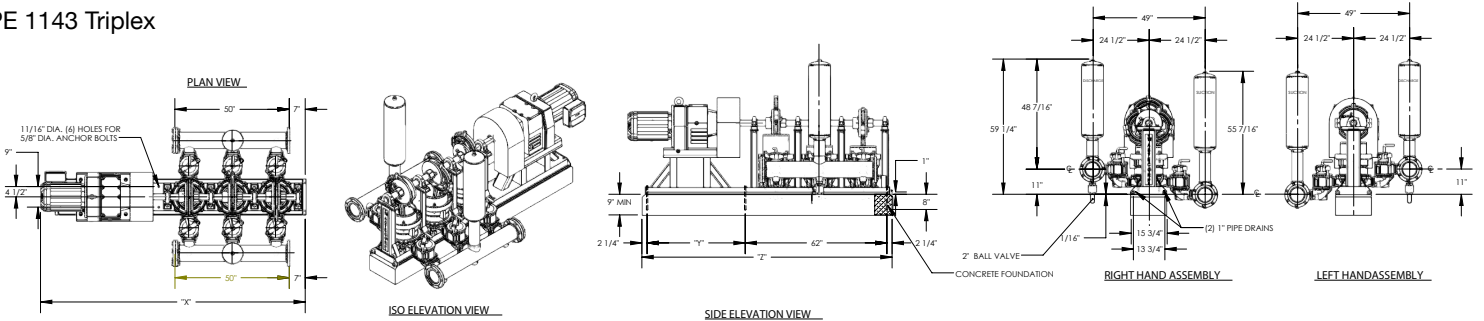
PE 1141 Simplex



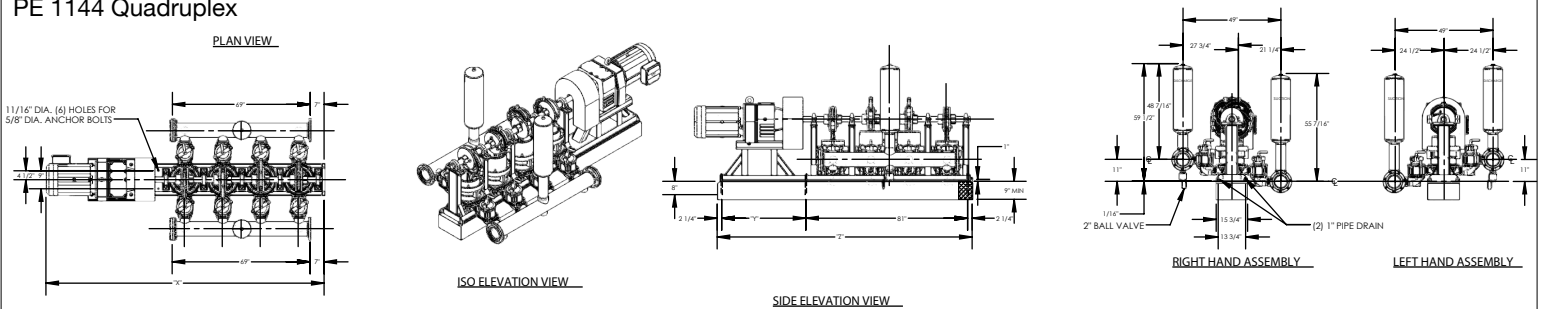
PE 1142 Duplex



PE 1143 Triplex



PE 1144 Quadruplex



Wastecorp Pumps USA
 P.O. Box 70
 Grand Island, New York 14072 | USA
 Tel: 888.829.2783 | Fax: 888-883-3320
 sales@wastecorp.com

Wastecorp Pumps Inc.
 50 Shorncliffe Road
 Toronto, Ontario M8Z 5K1 | Canada
 Tel: 416.233.3000 | Fax: 416.233.2300
 info@wastecorp.com