



GOT A TOUGH PUMPING JOB? YOU BETTER GET THE TVP-BIGFOOT.

Wastecorp's Super Duty TVP-BIGFOOT Series is a specialized vacuum trailer featuring agricultural (floatation) tires. The TVP-BIGFOOT is designed to maneuver tough terrain like resort pathways, sandy beaches, farms or muddy areas. This system is designed to pump tough liquids like grease trap waste, septic waste, and wastewater. Configure with optional hydraulic tilt tank, split water and waste compartments, gas or diesel engines, lockable storage compartment and much more.

Standard Features

- Heavy Gauge Steel Tank
- Automatic Oiling System
- Suction Inlet & Discharge Outlet
- Primary & Secondary Shut Off
- Pump Pre-filter Strainer
- Oil Catch Muffler with Drain
- Liquid Filled Vacuum Pressure Gauge
- Suction Hose with Wand Assembly
- 6" Clean out Manways
- Vacuum & Pressure Relief Valves
- Pump Flush Valve

Optional Accessories

- Rear manway doors 17", 25", 36"
- Tank Float Level Indicator
- Single or dual compartment (waste / water) chamber
- Rear offload valves 2", 3", 4", 6"
- Heated tank & Heated Valves
- Jetter Systems with ambient or hot water tank
- Wash-down pump with garden hose and nozzle
- Vacu-Fresh Exhaust Scenting Deodorizer
- Hydraulic actuated Tilt-N-Go dumper

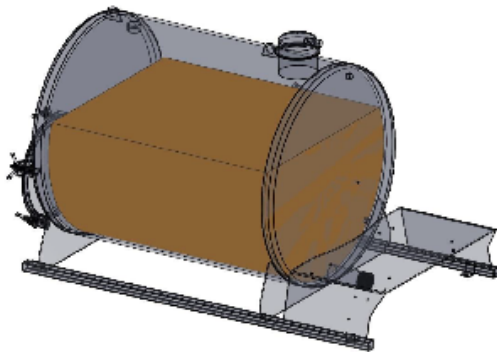
Applications

Agricultural, septic, sewer cleaning, grease trap, portable restrooms, marine, chemical clean-up and other types of industrial waste application, catch basins, hospitality

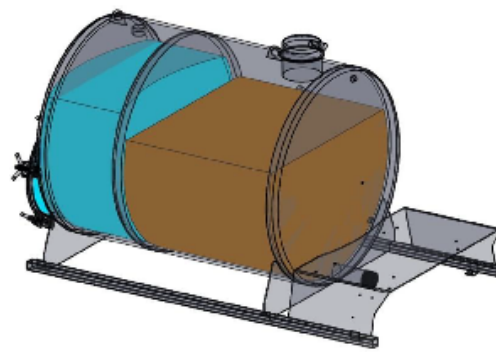
| HP | Application | CFM |
|-------|------------------------------|---------|
| 9 HP | Honda GX with electric start | 127 CFM |
| 13 HP | Septic tanks, sump pits | 230 CFM |
| 24 HP | Heavy drilling fluids | 350 CFM |
| 24 HP | Hydro-excavation / Hydrovac | 350 CFM |

Compartment Options

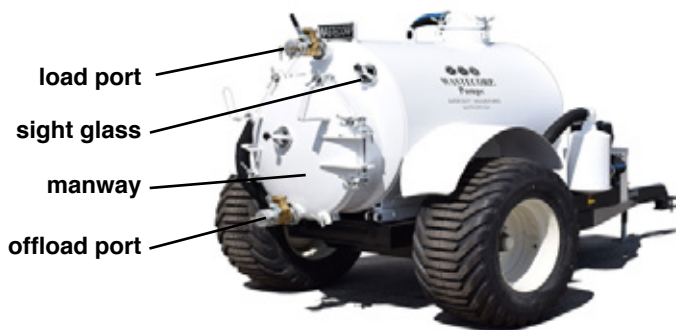
Single Compartment



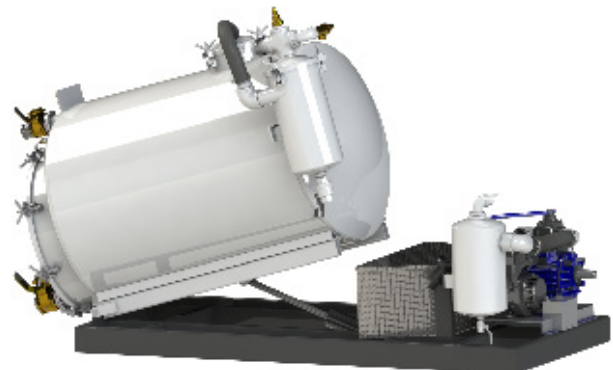
Dual Compartment



Rear Tank Features



Optional Hydraulic TILT-N-GO



SUPER DUTY® VACUUM PUMPS

Designed and Manufactured by Wastecorp Pumps in USA and/or Canada.

Toll-Free: 1.888.829.2783 Email: info@wastecorp.com
 International: +1-201-445-2882

Specifications and materials of construction are subject to change without notice.