



Parts Schematics

Plunger Pump Parts For All Brands

SEVERE DUTY SLUDGE PUMPS - PE HPE EHPE SERIES SINCE 1928



Toll Free North America: 1-888-829-2783

International: 201-445-2882

WASTECORP. PLUNGER PUMPS

PE & HPE SERIES - PARTS BREAKDOWN LIST

Cross-reference to Schematic Drawing(s) # 37728

KEY	DESCRIPTION	KEY	DESCRIPTION
1	L-Handle	53	Grease Retainer, Countershaft
2	Cover, Valve Chamber	54	Retaining Ring, Countershaft
3	Ball Valve	55	Pinion Gear
4	Yoke	56	Countershaft (Advise Wastecorp of your Motor HP)
5	Gasket, Valve Chamber	57	Key, Pinion Gear
6	Valve Chamber	58	Key, Pulley
7	Gasket, Manifold	59	Taper Bushing, Pump End Pulley/Sheave
8	Manifold Tee (Duplex Pumps Only)	60	Pulley/Sheave, Pump End
9	Manifold Adapter (Simplex Pumps Only)	61	Pump End Pulley/Sheave Assembly (includes Key# 59 & 60)
10	Machine Screws	62	V-Belt
11	Valve Seat (Cast Iron, Bronze, Stainless Steel, Urethane)	63	Motor Pulley/Sheave
12	Gasket, Valve Seat	64	Taper Bushing, Motor End Pulley/Sheave
13	Elbow	65	Motor End Pulley/Sheave Assembly (includes key# 63 & 64)
14	Pump Body	66	Belt Guard
15	Drain Rod, Plunger	67	Key, Motor Shaft
16	Wrist Pin	68	Electric Motor
17	Crosshead	69	Upper Rocking Base
18	Plunger (Cast Iron or Coated ¹)	70	Lower Rocking Base
19	Gland	71	Bottom Belt Guard
20	Packing Set (Graphite or V-Type Rings)	72	N
21	Stuffing Box	73	Adjustment Bar, Gear Case
22	Gasket, Stuffing Box	74	Support, Gear Case
22-A	Gasket, Stuffing Box (HPE Pumps Only)	75	Back Plate, Belt Guard
23	N/A	76	Bracket, Belt Guard
24	Air Chamber	77	Pillow Block Bearing (HPE Pumps Only)
25	Bushing, Conn Rod (Bronze)	78	Spacer (HPE Pumps Only)
26	Connecting Rod (Bare)	79	Bolt, Yoke
27	Shim Set, Connecting Rod	80	Washer, Yoke
28	Connecting Rod Assy (includes Key# 25, 26, 27 & 98)	81	Nut, Flange
29	Pillow Block Bearing, Mainshaft	82	Lock Nut, Conn Rod
30	Driven Flange	83	Bolt, Conn Rod
31	Bolt, Driven Flange	84	Shear Pin
32	Eccentric with Shear Pin Bushing	85	Bolt, Crosshead
33	Driving Flange	86	Nut, Crosshead
34	Oiler ²	87	Sealing Washer
35	N/A	88	Bolt, Plunger
36	N/A	89	Bolt, Gland
37	N/A	90	Petcock, Air Chamber
38	N/A	91	Guide Bar (Optional Accessory)
39	N/A	92	Oiler, Guide Bar (Optional Accessory)
40	N/A	93	Guide Shoe (Optional Accessory)
41	Mainshaft	94	Extension Ring (Optional Accessory)
42	Key, Drive Flange	95	N/A
43	Key, Main Gear	96	Shim Set, Guide Bar (Optional Accessory)
44	Gear Case Assembly (upper and lower case)	97	Shim, Conn Rod (See key# 27)
45	Gasket, Gear Case	98	Conn Rod Insert (See key# 28)
46	Collar, Mainshaft		
47	Grease Retainer, Mainshaft		
48	Main Gear (Advise Wastecorp of your Motor HP)		
49	Taper Bushing (Only used on 5HP and above)		
50	N/A		
51	Pillow Block Bearing, Countershaft		
52	Collar, Countershaft		

Notes:

¹ Available in hard chrome plated, chrome oxide/ceramic, stainless steel, tungsten carbide, hastelloy C, etc. Contact Wastecorp for more information.

² Options: a) Manual Drop Feed; b) Automatic Ball-Type Oiler; c) Electric Solenoid; d) Mechanical Force Feed Lubricator

Wastecorp® Plunger Pump Parts

For more information visit www.wastecorp.com or E-mail: info@wastecorp.com

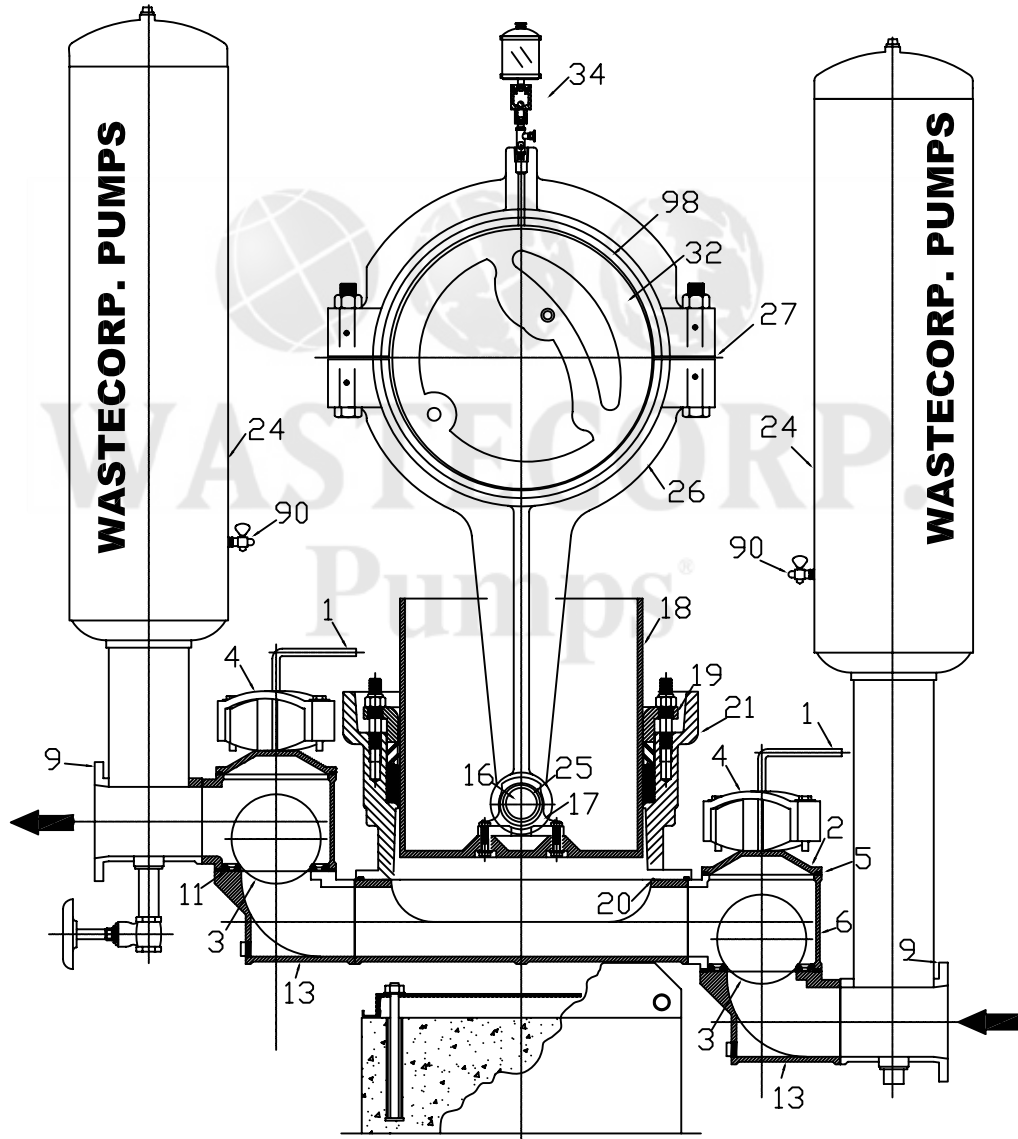
Specifications, descriptions and illustrative material are as accurate as known at time of publication, but are subject to change without notice. Illustrations may include optional equipment and accessories, and may not include all standard equipment. Wastecorp and globes are registered trademarks of Wastecorp

©2007 Wastecorp Pumps

North America technical support: 1-888-829-2783. International: 201-445-2882



- | | | |
|-----------------------|---------------------|--------------------|
| 1. L - HANDLE | 13. ELBOW | 25. BRONZE BUSHING |
| 2. VALVE COVER | 16. WRIST PIN | 26. CONNECTING ROD |
| 3. BALL VALVE | 17. CROSSHEAD | 27. SHIM SET |
| 4. VALVE COVER YOKE | 18. PLUNGER | 28. INSERT SLEEVE |
| 5. VALVE COVER GASKET | 19. PACKING GLAND | 32. ECCENTRIC |
| 6. VALVE CHAMBER | 20. PACKING SET | 34. OILER |
| 9. MANIFOLD | 21. STUFFING BOX | 90. AIR COCK |
| 11. VALVE SEAT | 22. "O" RING GASKET | |
| W/ GASKET & SCREWS | 24. AIR CHAMBER | |

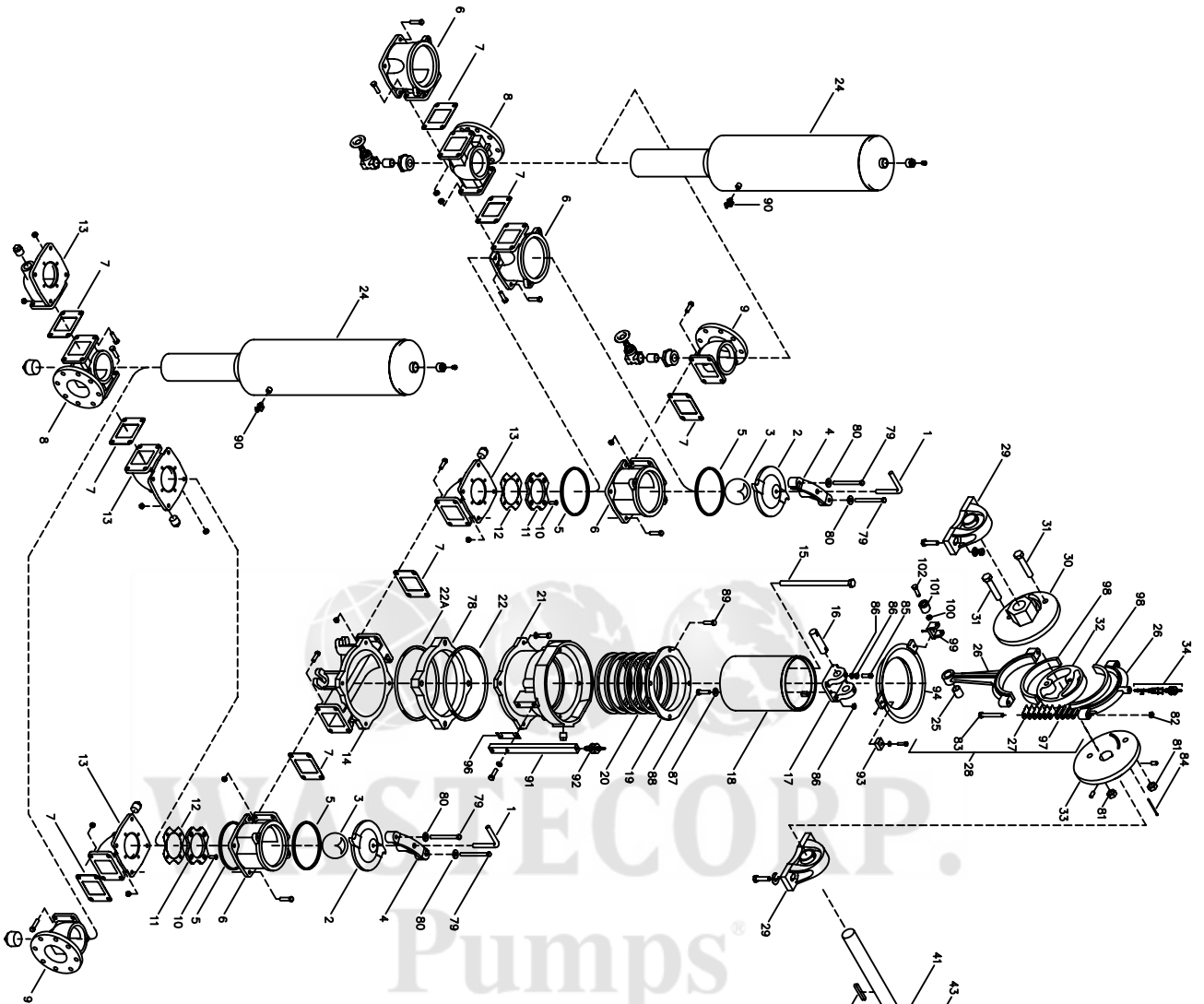


**FOR COMPLETE PARTS SCHEMATIC
SEE DRAWING # 37728**

Wastecorp® Plunger Pump Parts

For more information visit www.wastecorp.com E-mail: info@wastecorp.com
Specifications, descriptions and illustrative material are as accurate as known at time of publication, but are subject to change without notice. Illustrations may include optional equipment and accessories, and may not include all standard equipment. Wastecorp and globes are registered trademarks of Wastecorp





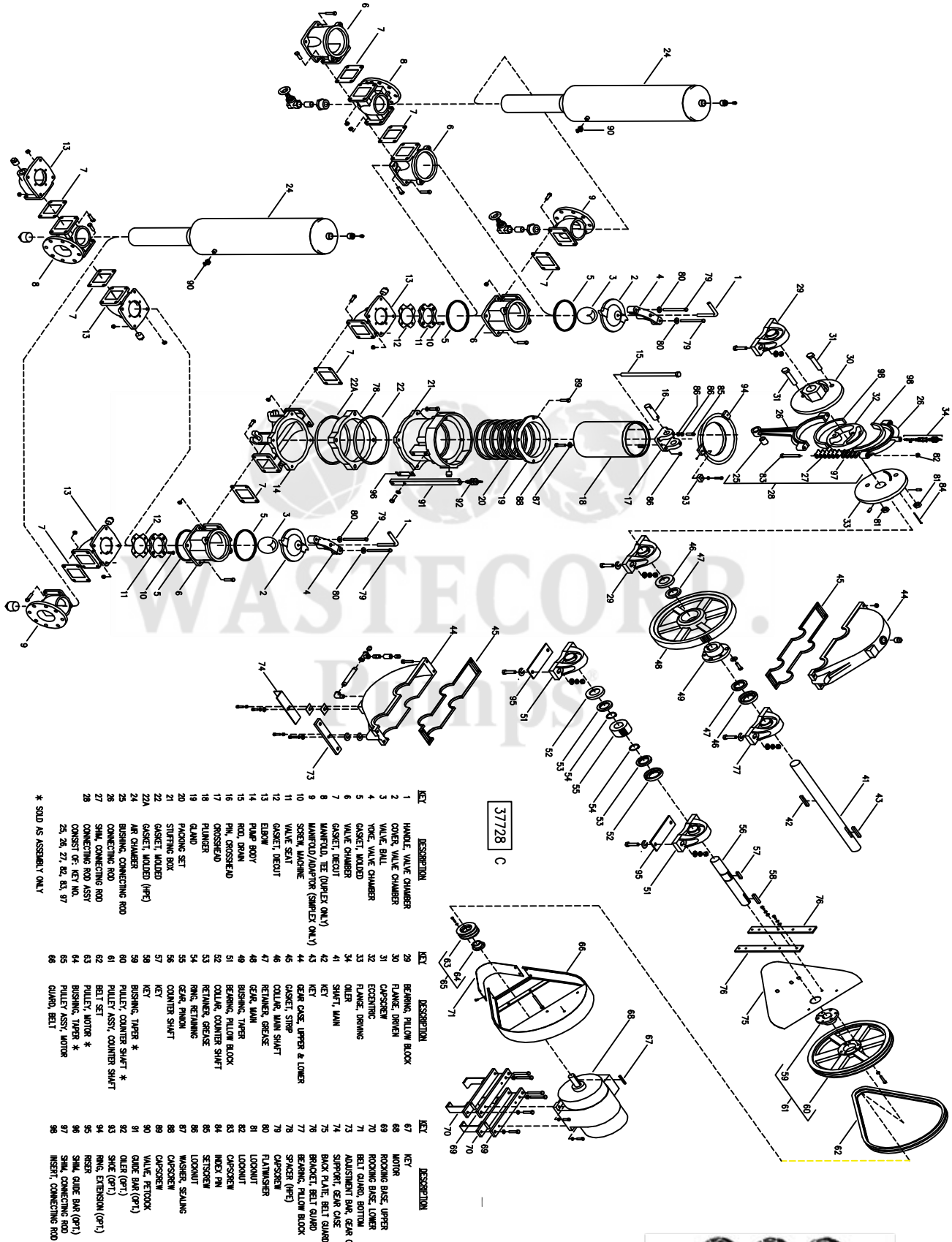
KEY	DESCRIPTION	KEY	DESCRIPTION
1	HANDLE, VALVE CHAMBER	29	BEARING, PULVER BLOCK
2	COVER, VALVE CHAMBER	30	FLANGE, DRIVE
3	VALVE, BALL	31	CLIPSCREW
4	YONG, VALVE CHAMBER	32	ECCENTRIC
5	GASKET, WOLDED	33	FLANGE, DRIVE
6	VALVE CHAMBER	34	OLEIL
7	GASKET, DECOU	35	SHAFT, VALVE
8	WATER/OIL, RE (DUPLICATE ONE)	41	KEY
9	SCREW, W/LOCK	42	KEY
10	VALVE SEAT	43	BEARING, PULVER BLOCK
11	GASKET, DECOU	77	SPACER (W/1)
12	ELBOW	79	CLIPSCREW
13	PUMP BODY	80	FLATWASHER
14	ROD, BALL	81	LOCKWIT
15	ROD, CROSSFIB	82	LOCKWIT
16	PLUNGER	83	CLIPSCREW
17	GLAND	84	WASHER, SEALING
18	PLUNGER SET	85	LOCKWIT
19	STUTTING BOX	86	SETSCREW
20	GASKET, WOLDED (W/1)	87	WASHER, SEALING
21	CLIPSCREW	88	CLIPSCREW
22	GASKET, WOLDED (W/1)	89	VALVE, P/T/OOK
22A	CLIPSCREW	90	ROD, EXTENSION (W/1)
23	ROD, EXTENSION (W/1)	91	OLEIL (W/1)
24	BEARING, PULVER BLOCK	92	SPACER (W/1)
25	FLANGE, DRIVE	93	SPACER (W/1)
26	ECCENTRIC	94	RESER
27	FLANGE, DRIVE	95	SNAIL, GUIDE SHA (W/1)
28	OLEIL	96	SNAIL, CONNECTING ROD
		97	RESER, CONNECTING ROD
		98	HEX NUT, BEARING BRACKET
		99	BEARING, GUIDE SHA
		100	HEX NUT, BEARING BRACKET
		101	BEARING, GUIDE SHA
		102	CAP SCREW, BEARING BRACKET

SOLD AS ASSEMBLY ONLY



Wastecorp® Plunger Pump Parts

For more information visit www.wastecorp.com or E-mail: info@wastecorp.com
 Specifications, descriptions and illustrative material are as accurate as known at time of publication, but are subject to change without notice. Illustrations may include optional equipment and accessories, and may not include all standard equipment. Wastecorp and globes are registered trademarks of Wastecorp



* SOLD AS ASSEMBLY ONLY

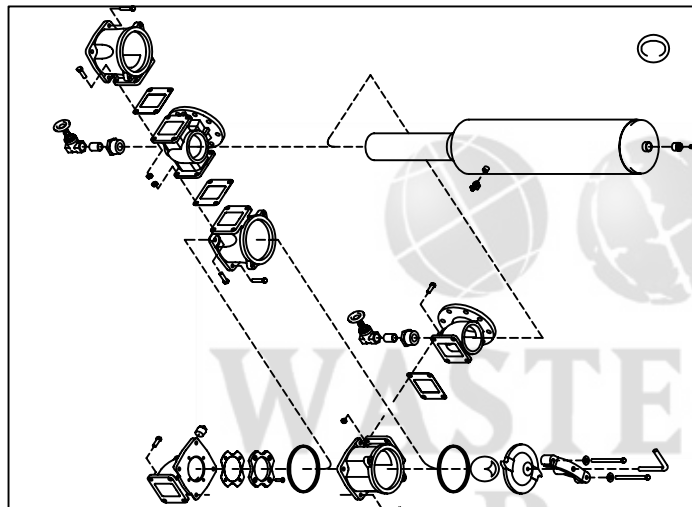
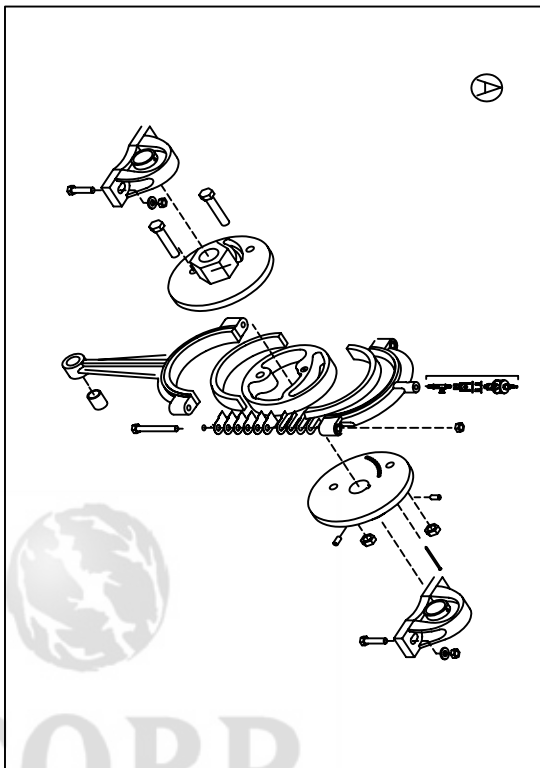
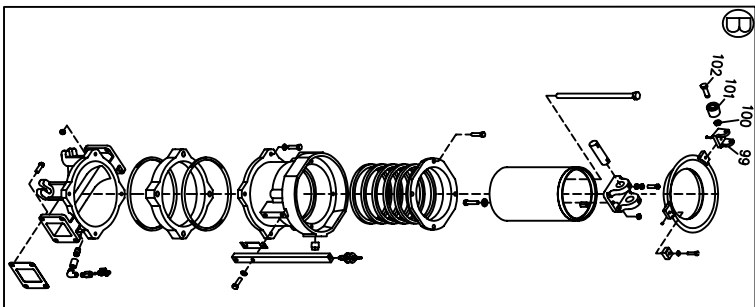
- | KEY | DESCRIPTION | KEY | DESCRIPTION | KEY | DESCRIPTION |
|-----|---|-----|----------------------------|-----|---------------------------|
| 1 | HANDLE VALVE CHAMBER | 29 | BEARING, PULLEY BLOCK | 67 | KEY |
| 2 | COVER, VALVE CHAMBER | 30 | FLANGE, DRIVER | 68 | MOTOR |
| 3 | VALVE BALL | 31 | CAPSCREW | 69 | ROCKING BASE, UPPER |
| 4 | NOSE, VALVE CHAMBER | 32 | ECCENTRIC | 70 | ROCKING BASE, LOWER |
| 5 | GASKET, WINDJED | 33 | FLANGE, DRIVER | 71 | BELT GUARD, BOTTOM |
| 6 | VALVE CHAMBER | 34 | OLB | 72 | ADJUSTMENT BAR, GEAR CASE |
| 7 | GASKET, MOUNT | 35 | SHAFT, MAIN | 73 | SUPPORT, GEAR CASE |
| 8 | WARRANTY, TEE (DRIVER ONLY) | 36 | KEY | 74 | BACK PLATE, BELT GUARD |
| 9 | WARRANTY, TEE (SAMPLE ONLY) | 37 | KEY | 75 | BRACKET, BELT GUARD |
| 10 | VALVE SEAT | 38 | GEAR CASE, UPPER & LOWER | 76 | BEARING, PULLEY BLOCK |
| 11 | ELBOW | 39 | COLLAR, MAIN SHAFT | 77 | SPACER (HP3) |
| 12 | GASKET, DEBOUT | 40 | COLLAR, MAIN SHAFT | 78 | CAPSCREW |
| 13 | PLUNGER ROD | 41 | RETAINER, GREASE | 79 | FLATWASHER |
| 14 | PLUNGER BODY | 42 | BEARING, THREADED | 80 | LODUNIT |
| 15 | PLUNGER PIN, PROGRESSIVE | 43 | COLLAR, LOWER BLOCK | 81 | LODUNIT |
| 16 | CROSSHEAD | 44 | RETAINER, GREASE | 82 | CAPSCREW |
| 17 | PLUNGER | 45 | SHAFT, COUNTER SHAFT | 83 | INERT PIN |
| 18 | PLUNGER PIN, RETAINING | 46 | RETAINER, GREASE | 84 | SETSCREW |
| 19 | PACKING SET | 47 | KEY | 85 | LODUNIT |
| 20 | SHUTTING BOX | 48 | BEARING, THREADED | 86 | WASHER, SEALING |
| 21 | GASKET, MOUNTED (HP3) | 49 | BEARING, THREADED | 87 | CAPSCREW |
| 22 | GASKET, MOUNTED (HP3) | 50 | POLETT ASSY, COUNTER SHAFT | 88 | VALVE FITTING |
| 23 | AIR CHAMBER | 51 | POLETT ASSY, COUNTER SHAFT | 89 | CAPSCREW |
| 24 | BRISMAN, CONNECTING ROD | 52 | BELT SET | 90 | VALVE FITTING |
| 25 | BRISMAN, CONNECTING ROD | 53 | SHAFT, EXTENSION (OPT) | 91 | VALVE FITTING |
| 26 | SMALL CONNECTING ROD | 54 | SHAFT, EXTENSION (OPT) | 92 | VALVE FITTING |
| 27 | SMALL CONNECTING ROD ASST | 55 | SHAFT, EXTENSION (OPT) | 93 | VALVE FITTING |
| 28 | CONSIST OF KEY NO. 25, 26, 27, 82, 83, 91 | 56 | SHAFT, EXTENSION (OPT) | 94 | VALVE FITTING |
| | | 57 | KEY | 95 | VALVE FITTING |
| | | 58 | BRISMAN, THREADED | 96 | VALVE FITTING |
| | | 59 | POLETT ASSY, COUNTER SHAFT | 97 | VALVE FITTING |
| | | 60 | POLETT ASSY, COUNTER SHAFT | 98 | VALVE FITTING |
| | | 61 | POLETT ASSY, COUNTER SHAFT | 99 | VALVE FITTING |
| | | 62 | BELT SET | 100 | VALVE FITTING |
| | | 63 | BRISMAN, THREADED | | |
| | | 64 | POLETT ASSY, MOTOR | | |
| | | 65 | POLETT ASSY, MOTOR | | |
| | | 66 | SHAFT, EXTENSION (OPT) | | |

Wastecorp® Plunger Pump Parts

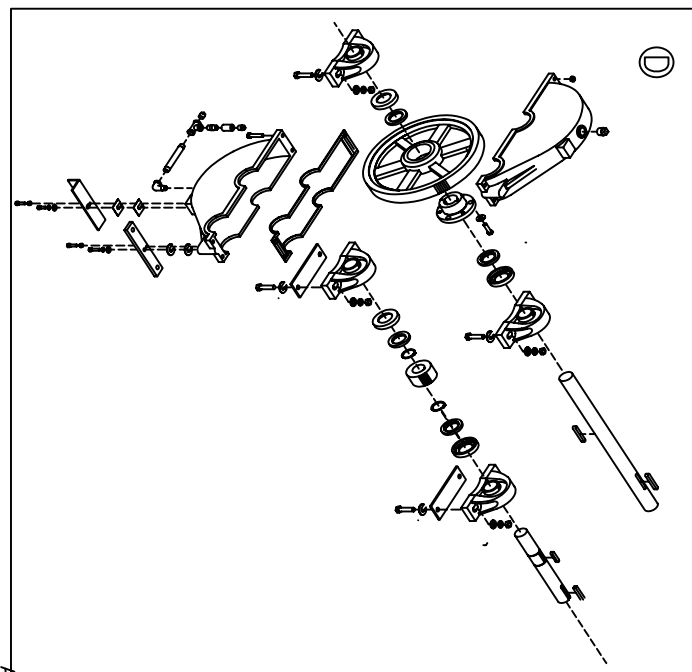
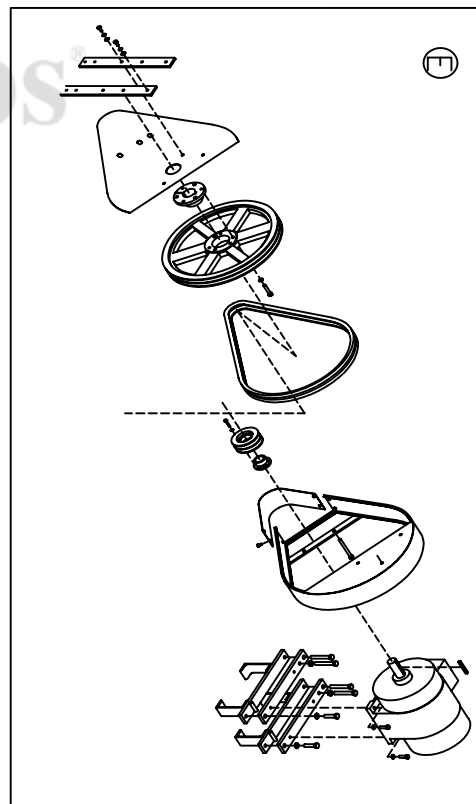
For more information visit www.wastecorp.com or E-mail: info@wastecorp.com
 Specifications, descriptions and illustrative material are as accurate as known at time of publication, but are subject to change without notice. Illustrations may include optional equipment and accessories, and may not include all standard equipment. Wastecorp and globes are registered trademarks of Wastecorp

©2007 Wastecorp Pumps
 North America technical support: 1-888-829-2783. International: 201-445-2882





WASTECORP PLUNGER PUMPS (PARTS LIST)



DRAWING # 37728-
AA

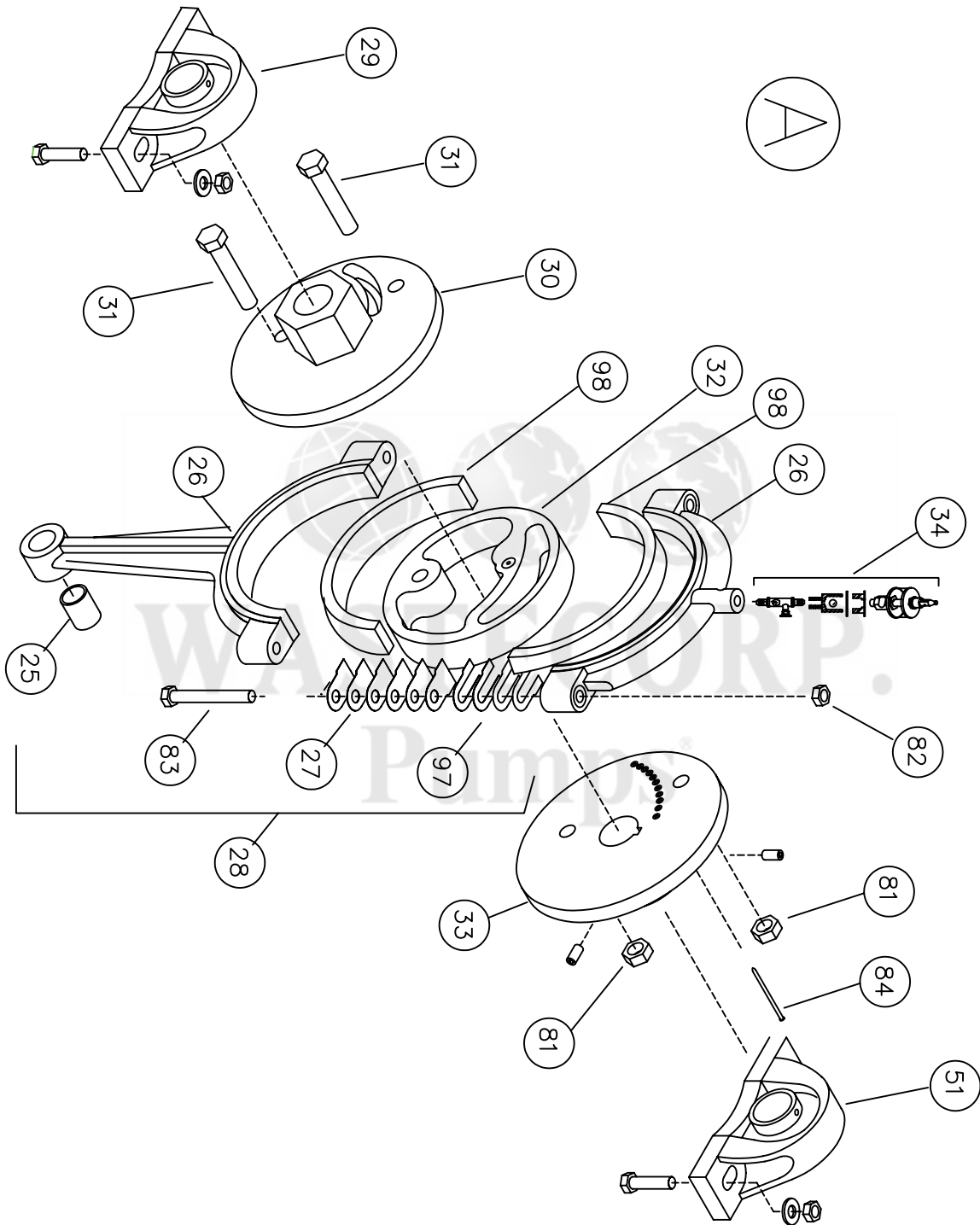
Wastecorp® Plunger Pump Parts

For more information visit www.wastecorp.com or E-mail: info@wastecorp.com
 Specifications, descriptions and illustrative material are as accurate as known at time of publication, but are subject to change without notice. Illustrations may include optional equipment and accessories, and may not include all standard equipment. Wastecorp and globes are registered trademarks of Wastecorp

©2007 Wastecorp Pumps
 North America technical support: 1-888-829-2783. International: 201-445-2882



WASTECORP. PUMPS

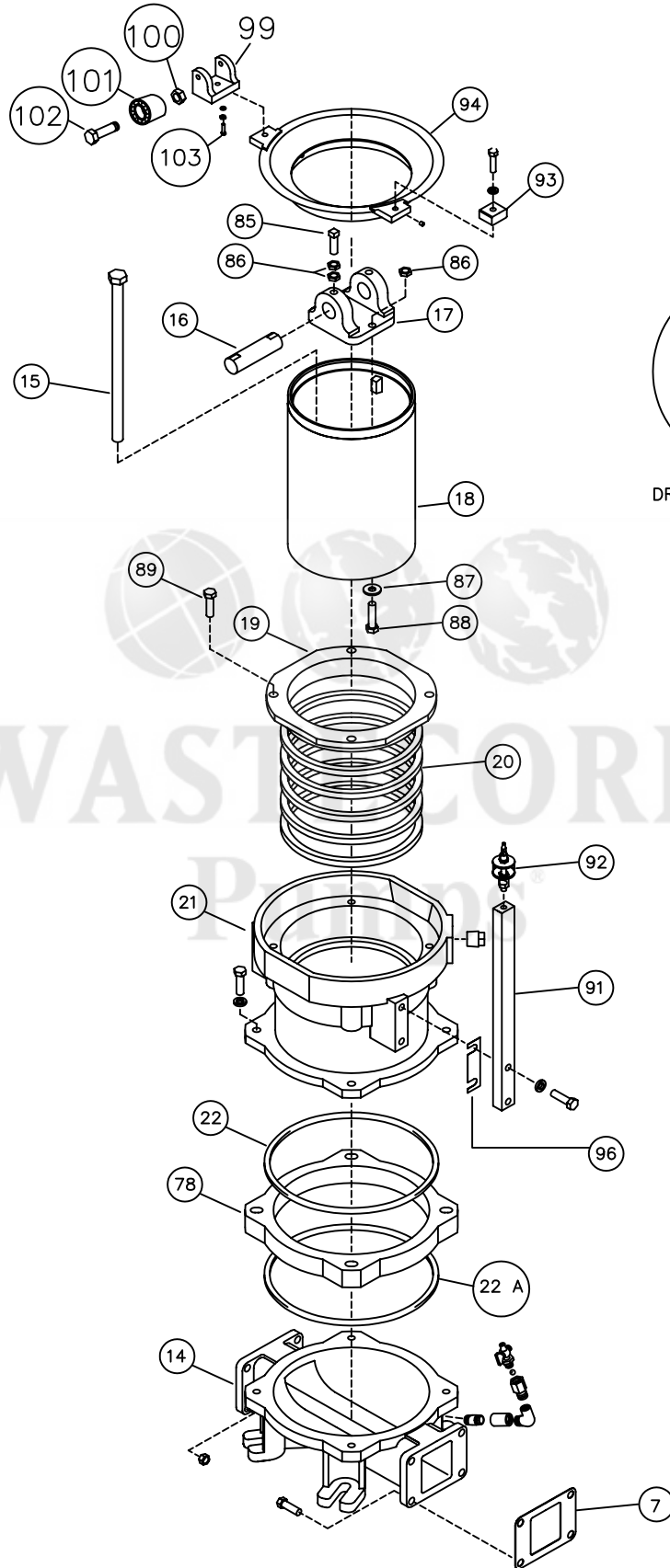


Wastecorp® Plunger Pump Parts

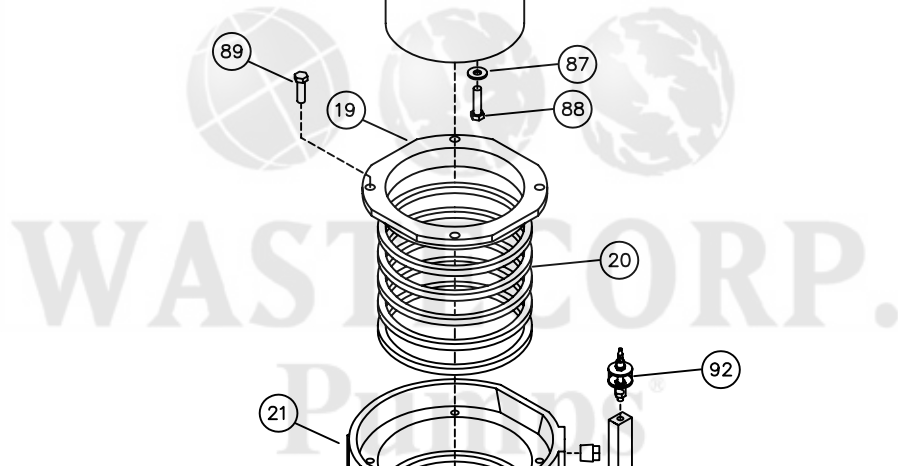
For more information visit www.wastecorp.com or E-mail: info@wastecorp.com
 Specifications, descriptions and illustrative material are as accurate as known at time of publication, but are subject to change without notice. Illustrations may include optional equipment and accessories, and may not include all standard equipment. Wastecorp and globes are registered trademarks of Wastecorp

©2007 Wastecorp Pumps
 North America technical support: 1-888-829-2783. International: 201-445-2882





DRAWING # 37728-B



Wastecorp® Plunger Pump Parts

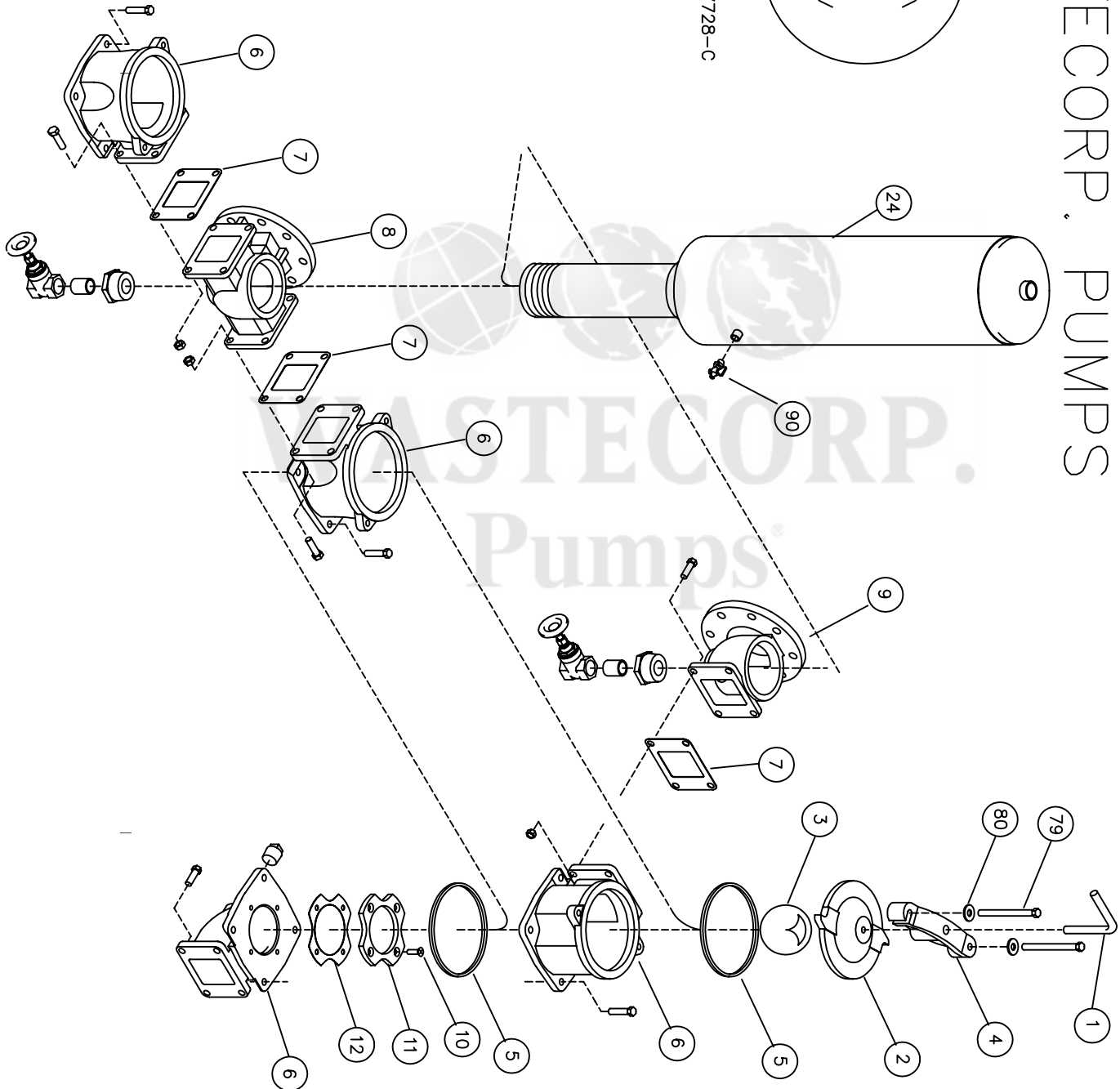
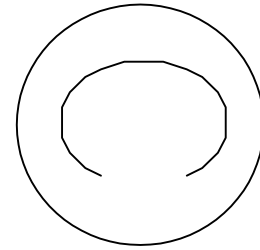
For more information visit www.wastecorp.com or E-mail: info@wastecorp.com
 Specifications, descriptions and illustrative material are as accurate as known at time of publication, but are subject to change without notice. Illustrations may include optional equipment and accessories, and may not include all standard equipment. Wastecorp and globes are registered trademarks of Wastecorp

©2007 Wastecorp Pumps
 North America technical support: 1-888-829-2783. International: 201-445-2882



WASTECORP. PUMPS

DRAWING # 37728-C

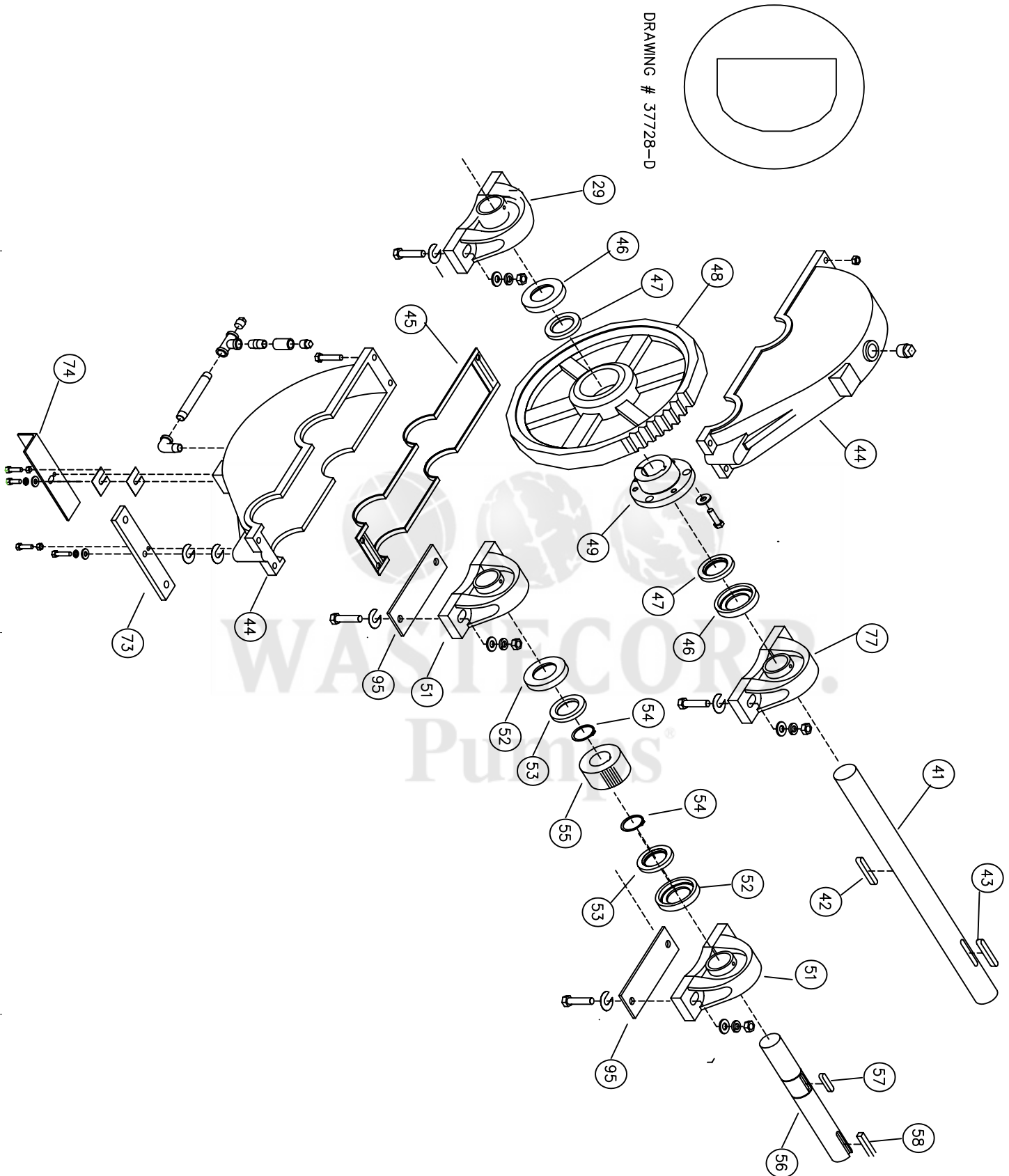


Wastecorp® Plunger Pump Parts

For more information visit www.wastecorp.com or E-mail: info@wastecorp.com
 Specifications, descriptions and illustrative material are as accurate as known at time of publication, but are subject to change without notice. Illustrations may include optional equipment and accessories, and may not include all standard equipment. Wastecorp and globes are registered trademarks of Wastecorp

©2007 Wastecorp Pumps
 North America technical support: 1-888-829-2783. International: 201-445-2882



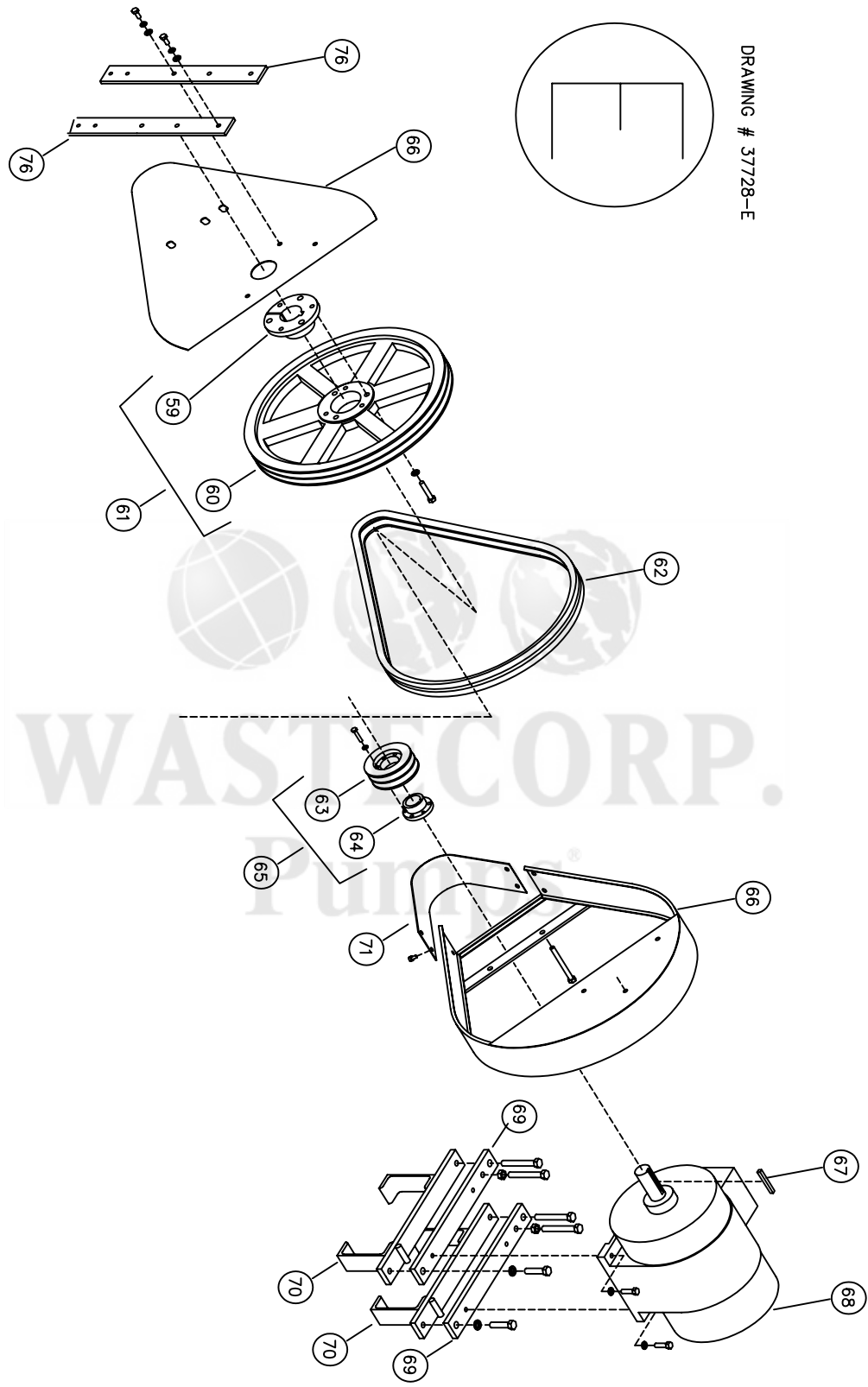


Wastecorp® Plunger Pump Parts

For more information visit www.wastecorp.com or E-mail: info@wastecorp.com
Specifications, descriptions and illustrative material are as accurate as known at time of publication, but are subject to change without notice. Illustrations may include optional equipment and accessories, and may not include all standard equipment. Wastecorp and globes are registered trademarks of Wastecorp

©2007 Wastecorp Pumps
North America technical support: 1-888-829-2783. International: 201-445-2882





DRAWING # 37728-E

WASTECORP.
Pumps

Wastecorp® Plunger Pump Parts

For more information visit www.wastecorp.com or E-mail: info@wastecorp.com
 Specifications, descriptions and illustrative material are as accurate as known at time of publication, but are subject to change without notice. Illustrations may include optional equipment and accessories, and may not include all standard equipment. Wastecorp and globes are registered trademarks of Wastecorp

©2007 Wastecorp Pumps
 North America technical support: 1-888-829-2783. International: 201-445-2882

