

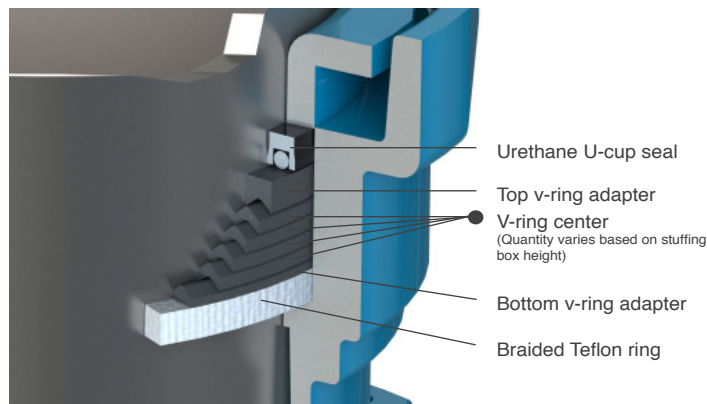
SLUDGE MASTER® PLUNGER PUMPS PACKING OPTIONS

Available For All Plunger Pump Makes
Call: 1-888-829-2783
Email: info@wastecorp.com



Wastecorp Plunger Pac™

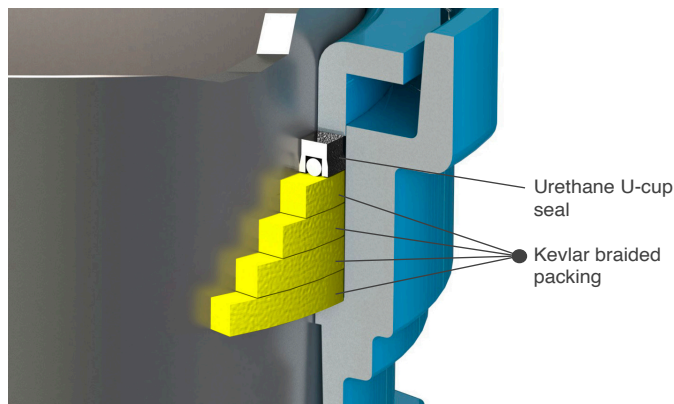
Plunger Pac V-type packing is designed to reduce friction and abrasion. Reduces scoring of plungers. Includes top u-cup seal, duck rubber v-rings and bottom Teflon braided rope which responds immediately to pressure fluctuation.



PLUNGER SIZE	
7" (Q. 1 u-cup, 3 v-rings, Q. 1 - ½" Teflon rope)	42686-00
9" (Q. 1 u-cup, 4 v-rings, Q. 1 - ½" Teflon rope)	42687-00
11" (Q. 1 u-cup, 4 v-rings, Q. 1 - ½" Teflon rope)	42688-00
6", 8½", 10", 12¼" sizes also available	

Kevlar Braided Packing

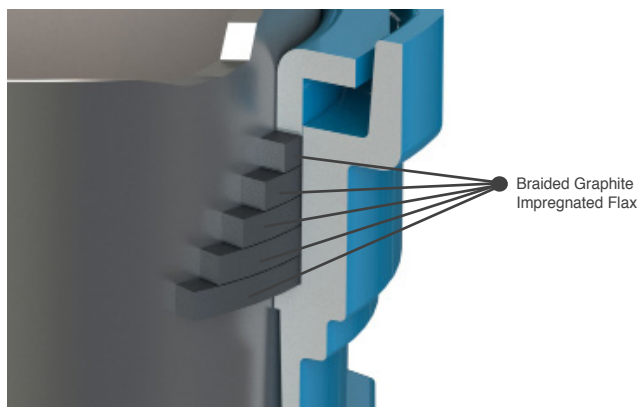
Kevlar braided fibre packing is designed with an inert lubricant. Extremely durable, highly abrasive resistant packing. Ideal for slurry and sludge pumping. Includes top urethane bevel lip u-cup seal which responds immediately to pressure fluctuation.



PLUNGER SIZE	
7" (4 Rings)	64558-00
9" (5 Rings)	64559-00
11" (5 Rings)	64560-00
6", 8½", 10", 12¼" sizes also available	

Wastecorp Graphite Flax Packing

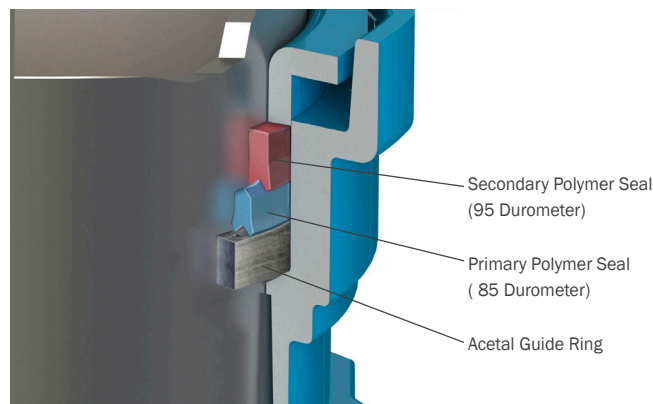
Cost effective graphite braided filament packing impregnated with graphite dispersion. Excellent chemical resistance. An ideal packing for low grit applications and provides good heat conduction.



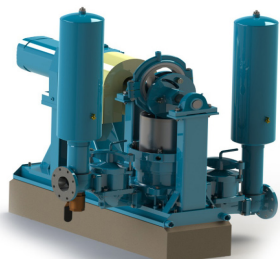
PLUNGER SIZE	
7" (4 Rings)	25671-00
9" (5 Rings)	24914-00
11" (5 Rings)	25779-00
6", 8½", 10", 12¼" sizes also available	

Wastecorp Super Seal

This advanced thermoset polymer seal offers the ultimate in performance when pumping abrasive materials and is virtually leak-free. The progressive lip seal ensures minimal gland compression and superior wear and extrusion resistance for long life performance.



PLUNGER SIZE	
7" (polymer seal assembly)	66105-00
9" (polymer seal assembly)	66105-10
11" (polymer seal assembly)	66105-20



Wastecorp Pumps USA
P.O. Box 70
Grand Island, New York 14072 | USA
Tel: 888.829.2783 | Fax: 888-883-3320
sales@wastecorp.com

Wastecorp Pumps Canada Inc.
50 Shorncliffe Road Toronto, Ontario
M8Z-5K1 | Canada
Tel: 416.233.3000 | Fax: 416.233.2300
info@wastecorp.com