



## The Ultimate Compact Vacuum Trailer That Delivers Results.

### FEATURES

- Premium galvanized trailer system with diamond plate deck
- Several vacuum pump options available
- Low profile design to work in areas with height restrictions
- Heavy duty steel tank with sight eyes and manway options
- Rugged construction with heavy duty frames and axles so your machine will outlast
- Fast tank emptying with reverse flow available
- Premium hoses available in a variety of lengths

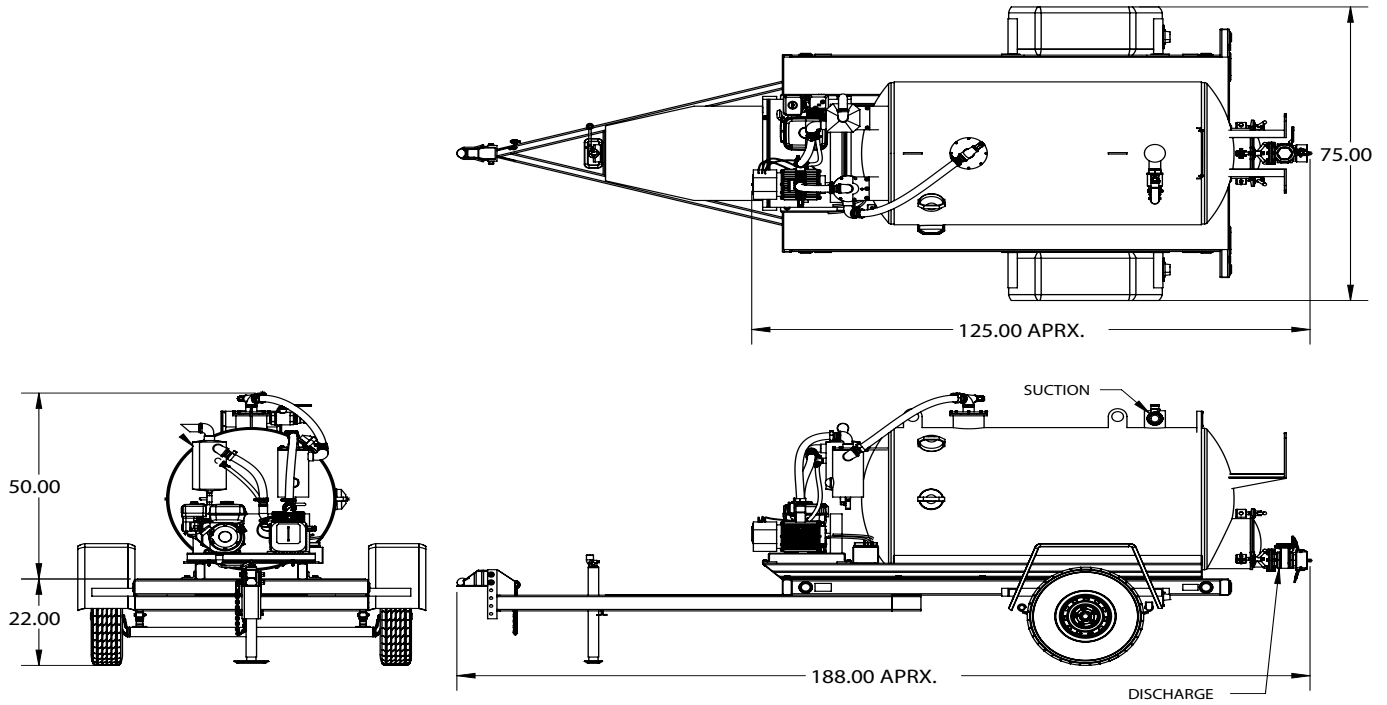
### THE SUPER DUTY IS MADE FOR

- Septic waste pumping
- Portable toilet servicing
- General wastewater cleanup
- Clean out car wash sediment pits
- Storm drain, catch basin pumping and cleaning
- Septic tank pumping

# TVP-300 SPECIFICATIONS

Model	TVP-300-DT(127)	TVP-300-DT(230)	TVP-300-DT(350)
Vacuum/Pressure	127CFM	230 CFM	350 CFM
Typical applications	Grease Trap & Portable Toilets	Septic Tank / Sump Pits /	Heavy Drilling fluids
Part Number	66418-15	66418-30	64954-55
<b>Tank</b>			
Capacity	300 US Gallons		
Base Frame	Heavy Duty Fabricated Steel		
Tank Material	A36 Carbon Steel		
Sight Eyes	(2) 5" Glass		
Manway	12" Rear Mount Swing Door		
Hose Rack	(2) Hooks on rear or side of tank		
<b>Engine</b>			
Gas Engine	9 hp Honda/Kohler Gas E-Start	14 hp Honda/Kohler Gas E-Start	24 hp Honda/Kohler Gas E-Start
Optional Engine	10 hp Hatz Diesel E-Start	17 hp Kohler Diesel E-Start	24 hp Kohler/Deutz Diesel E-Start
Power Transmission	Belt Driven		
<b>Trailer</b>			
Trailer Specs	Galvanized single 5200# Axle, E-Brakes, Jack Stand, LED Lighting, Alum. Checker Plate Deck		
Hitch	Select: 2" Ball, 2 5/16" ball, 3" Pintle		
Wheels	Galvanized spoke		
Tires	ST225/75R15		
Jackstand	7,000 lbs		
Trailer and brake supply	DOT approved 7 way connector		
Lighting System	DOT approved LED		
Safety Chains	DOT approved zinc-plated w/two clevis grab hooks		
<b>Hoses</b>			
Suction Hose	30 ft Non-Collapsible with Alum. Camlock Fittings (longer lengths available)		
Discharge Hose	10 ft Layflat with Alum. Camlock Fittings (longer lengths available)		
<b>Port Sizes</b>			
	2" Lever Valve with Camlock	3" Lever Valve with Camlock	3" Lever Valve with Camlock
Off-Load Port Size	3" Lever Valve with Camlock	4" Lever Valve with Camlock	4" Lever Valve with Camlocks
Suction Vac Wand:	5 ft PVC Pipe with 90° Camlock		
<b>Overall (Approximate)</b>			
Dry Weight (lb):	2000-2700 lbs		
Loaded	4600-5200 lbs		
GVWR	5200 lbs		
Trailer Dimensions	13'L x 6'2" W x 73"H,		
Underclearance	12" at axle		

## TVP-300 Dimensions



# BUILD OPTIONS

## CFM Vacuum Power

CFM or cubic feet per minute relates to vacuum suction power. Wastecorp offers several CFM options. Our industry leading standard CFM is 127, 230 CFM, 350 CFM and higher CFM are also available. We also offer blower packages for hydro excavation,

127 CFM

---

230 CFM

---

350 CFM

---

## Engine Options

Wastecorp offers electric, gas and diesel power options for Super Duty Vacuum Systems.

Gas

---

Electric

---

Diesel

---

## Dual Compartment Options

Select either waste only tanks or waste plus water compartments.



Wastecorp uses premium steel tanks that stand the test of time. We offer dual compartment waste and water or external polyethylene water tanks (your choice)

## Jetter Options

Expand the capabilities of your system with both waste collection and water jetting function. Jetters are ideal for cleaning catch basins, sewer pipes and general facilities maintenance.



Several jetter packages available to meet your job site needs.

## Optional Equipment



### Rear Manway

Designed to allow for easy maintenance and cleaning of tank interior.



### Work Light Package

Bright LED's for working in dark conditions. Beacon light and traffic diversion arrows (DOT compliant) available.



### Storage Options

Locking storage compartments available depending on the model. Various lockable storage options to help deter theft and vandalism.



### Tank Mounted Camera System

Wireless reverse assistance making maneuvering your job site easier.

## SUPER DUTY® VACUUM PUMPS

Designed and Manufactured by Wastecorp Pumps in USA and/or Canada.

Toll-Free: 1.888.829.2783 Email: [info@wastecorp.com](mailto:info@wastecorp.com)  
International: +1-201-445-2882