

SLUDGE MASTER®
HEAVY DUTY PLUNGER PUMPS
PE SERIES

PUMP MODELS

PE 741

FEATURES

TRANSFER UP TO 60 GPM

160,000 PSI STRENGTH
SHAFTS

SPHERICAL SOLIDS:
1 ¾" (44.45 MM)

MAX PERCENT SOLIDS
@ 68F (20c) ambient temperature:

Industrial Sludge/Slurry: 30%
Dry Weight

Municipal Sludge/Slurry: 15%
Dry Weight

Sand/Clay mix suspended: 70%

Viscosity: 100,000 Centipoise

Specific Gravity: 2.2 to 2.4

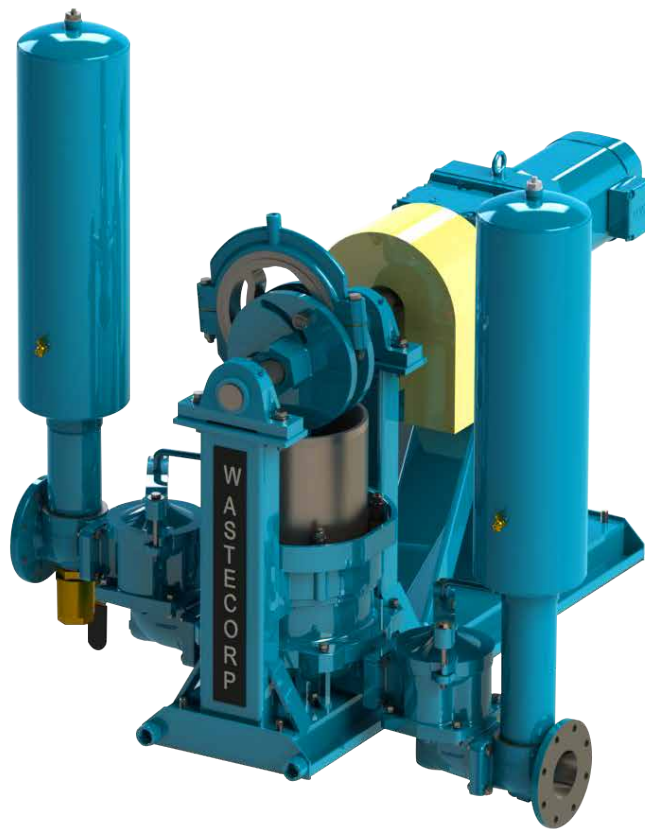
SUCTION LIFTS:
Dry Prime: 22" Hg (25 feet)

AIR HANDLING:
All others – 25 cu. ft./min at
max pressure of 30 psi.

REPLACEABLE BRONZE
INSERT

LOWER COST PARTS

LEAK RESISTANT DESIGN



Modern Sewage Treatment Solutions In a Familiar Package.

What does the average sewage pumping day look like at your wastewater plant? Chances are, you're looking at tougher sewage transfer tasks and seeking reliable equipment that won't require a maintenance crew of five to service.

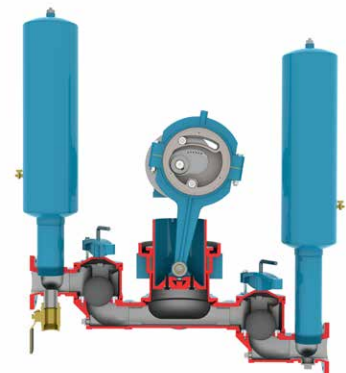
That's where the PE 741 Series plunger pumps can make a difference at your plant. These sewage pumps can transfer up to 60 GPM at max. total head up to 100 ft. Better yet, the Wastecorp plunger pump is modernized with 160,000 psi strength shafts and upgraded packing material for the strongest seal yet. Don't spend your man hours (or your budget) trying to repair a double disc, rotary lobe or progressive cavity pump. Go with the proven performer Wastecorp PE-741 Series.

General Specifications	Simplex PE 741
Number of plungers	1
Plunger dia. (in)	7
Air chambers	(2) 9"x30"
Flanged connections	4" ANSI 125 #
Number of pin positions	12
RPM Speeds	42 - 62
Max. stroke length (in)	5.75
Max. rec. suction lift (ft)	20
Max. total head (ft)	100
Max. capacity (GPM)	60
Eccentric dia. (in)	8
Shaft tensile strength (PSI)	160,000
Approx. weight less driver (lbs)	750



Accessories

Pressure and
compound gauge



**SLUDGE
MASTER®**
HEAVY DUTY PLUNGER PUMPS
PE SERIES



Pump Component	Standard Material	Optional Material
MAINSHAFT	A4140/4142 High-Strength Alloy Steel	
ECCENTRIC	ASTM A48, Class 35 Grey Iron	
LUBRICATION	Manual Sight Feed Oiler, 5 oz	a) Automatic ball-type oiler with needle valve (5 oz), b) Electric Solenoid Oiler, c) Mechanical Force Feed Lubricator
DRIVEN/DRIVE FLANGES	ASTM A48, Class 35 Grey Iron	
AIR CHAMBER	A53 Seamless Steel Pipe, Anodized/Galvanized with ¼" brass air release valve/petcock	304 or 316 Stainless Steel
SHEAR PIN	Fabricated Cold Rolled Steel	
CONNECTING ROD	ASTM A536 Grade 65-45-12 Ductile Iron	
ECCENTRIC BEARING LINER	Replaceable, Bronze SAE 660	
BUSHING, WRIST PIN	SAE 941 Oil-Lite Bronze	
WRIST PIN	A4140/4142 High-Strength Alloy Steel	
VALVE SEAT	ASTM A48, Class 35 Grey Iron	Bronze Alloy, 316 Stainless Steel
BALL VALVE	5-1/8" Urethane Rubber with Centralized Iron Core	
PUMP BODY	ASTM A536 Grade 65-45-12 Ductile Iron	
PLUNGER	ASTM A536 Grade 65-45-12 Ductile Iron	Coatings Available: a) Chrome Oxide, b) Aluminum Oxide, c) Tungsten Carbide, d) Hastelloy C, e) Stainless Steel
STUFFING BOX	ASTM A536 Grade 65-45-12 Ductile Iron	
GLAND	ASTM A48, Class 35 Grey Iron	
FLANGE CONNECTION	4" ANSI 125 lb (Simplex and Duplex Pumps)	
PACKING	½" sq. Kevlar Braided with Poly-urethane seal	a) Graphite Rings Only, b) Chevron Rings Only, c) Combo (Graphite/Chevron), d) Plunger Pac (Chevron, Teflon and Poly-urethane seal)
PUMP BASE	Fabricated heavy-duty steel channel and tube base plate and pedestals with drip gutters and 1" drain connections	Floor Base Frame
DRIVE ARRANGEMENT	Electric Constant Speed, Vertical Gear Reducer coupled to pump's mainshaft, Max. Output Speed: 42 - 62 RPM	

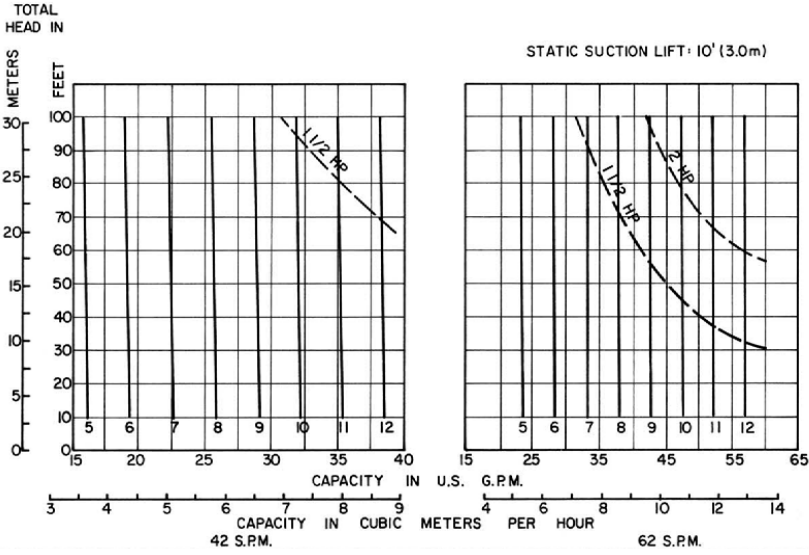
SLUDGE MASTER®

HEAVY DUTY PLUNGER PUMPS

PE SERIES



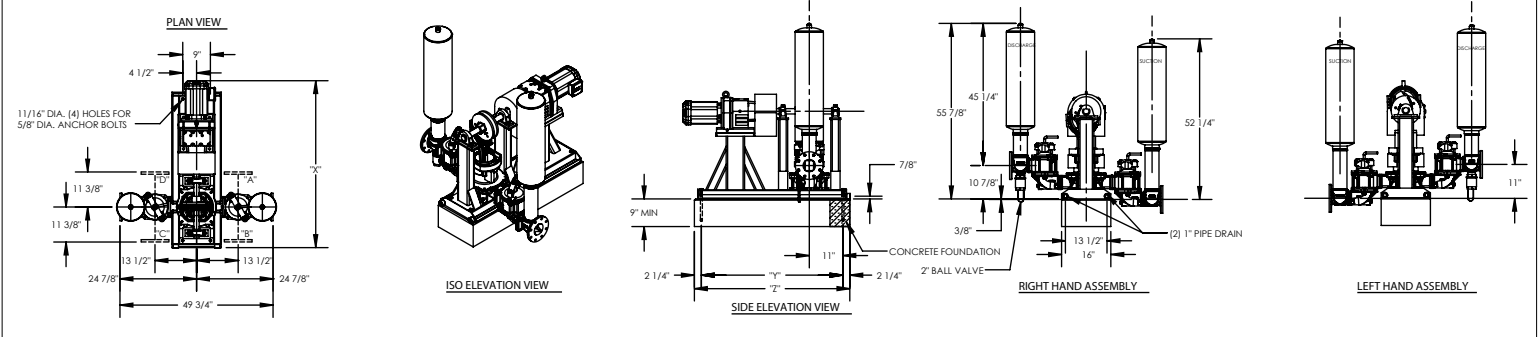
PERFORMANCE CURVES



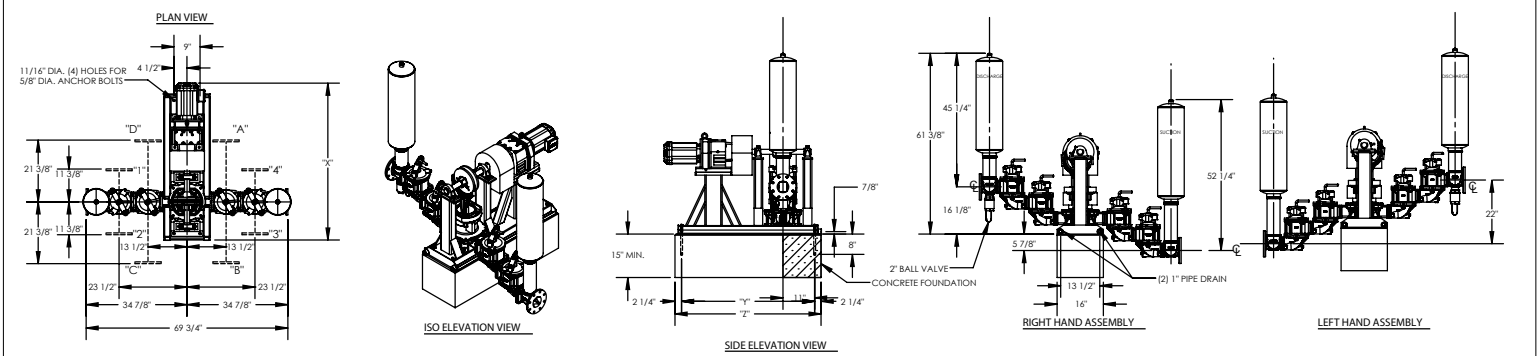
PIN POSITION	5	6	7	8	9	10	11	12
STROKE INCHES	2.37	2.86	3.34	3.82	4.30	4.78	5.27	5.75
LENGTH CM	6.0	7.3	8.5	9.7	10.9	12.1	13.4	14.6

DIMENSIONAL DRAWINGS

SINGLE BALL VALVE



DOUBLE BALL VALVE



Wastecorp Pumps USA
 P.O. Box 70
 Grand Island, New York 14072 | USA
 Tel: 888.829.2783 | Fax: 888-883-3320
 sales@wastecorp.com

Wastecorp Pumps Inc.
 50 Shorncliffe Road
 Toronto, Ontario M8Z 5K1 | Canada
 Tel: 416.233.3000 | Fax: 416.233.2300
 info@wastecorp.com