



WASTECORP.
Pumps®

TRASH FLOW®
SELF PRIMING TRASH PUMPS

TFCC-VP-4™

FEATURES

TRANSFER UP TO
1,120 GPM (254 M³/H)

MAX. HEAD 205 FEET (62 METERS)

MAX SPEED 2,600 RPM

MAX SOLIDS HANDLING
3" (76 MM)

ADJUSTABLE &
SHIMLESS IMPELLER
CLEARANCE

HEAVY DUTY BEARINGS
AND CASTINGS

EASILY REMOVABLE
ROTATING ASSEMBLY

FULL IMPELLER ACCESS

SOLIDS HANDLING
IMPELLER

QUICK SELF PRIMING
CAPABILITIES

DOUBLE FLOATING
MECHANICAL SEAL

DUAL LIP SEAL BEARING
PROTECTION*

*optional

4" x 4"

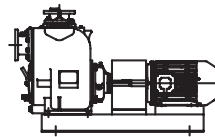


**HIGHER PRESSURE & FLOW
THAN EVER BEFORE.**

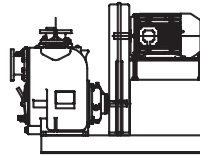
Trash Flow TFCC-VP self-priming pump is an advanced high-pressure design capable of displacing liquids at greater pressures than ever before. It can achieve 100% greater pressure and 45% increased flow over our standard TFCC series. An excellent choice for the tough high head applications commonly found in industrial and municipal applications.

TRASH FLOW® CONFIGURATIONS

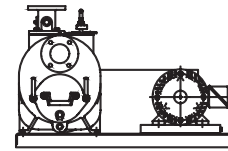
FLEX COUPLED



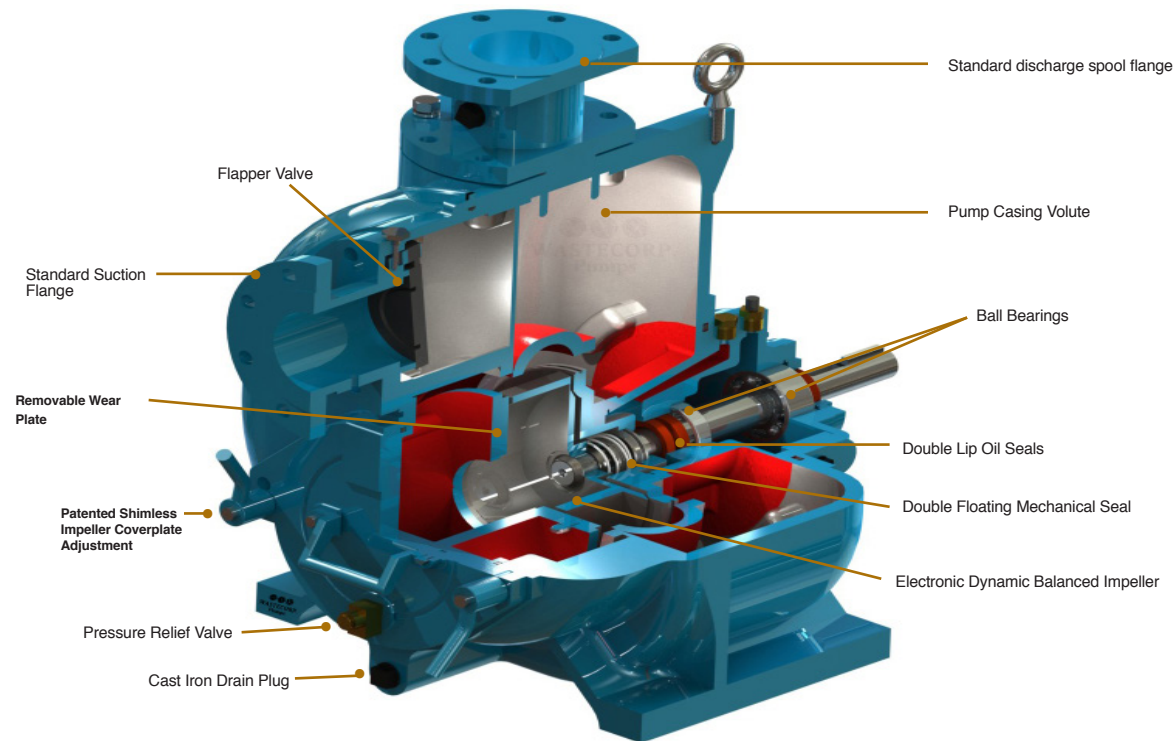
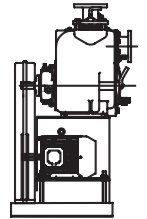
BELT DRIVE VERTICAL



BELT DRIVE HORIZONTAL



BELT DRIVE PIGGY BACK



WASTECORP.COM

TRASH FLOW®

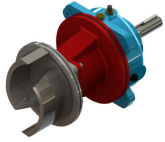
SELF PRIMING TRASH PUMPS

TFCC-VP-4™

4"x4"

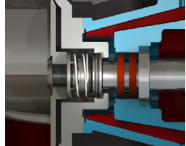


FEATURES



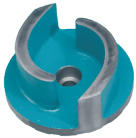
REMOVABLE ROTATING ASSEMBLY

Experience less downtime and maintenance hassles with the Trash Flow's removable rotating assembly. The pump volute and piping are not disturbed during maintenance.



DOUBLE FLOATING MECHANICAL SEAL

Wastecorp's mechanical seals are designed for the harsh pumping conditions in today's municipal and industrial solids handling jobs.



SOLIDS HANDLING IMPELLERS

Trash Flow pumps feature our standard premium two-vane solids handling impellers with solids handling capabilities up to 3" (75mm).



OPTIONAL SUCTION AND DISCHARGE GAUGES

Monitor operating pressure easily with Wastecorp's optional suction and discharge gauges.

OPTIONAL CONFIGURATIONS



SEWAGE LIFT STATIONS

Let our pump designers engineer the ultimate lift station for your facility. We offer complete packaged solutions including control panels, valves and more.



TRAILER OR SKID MOUNT ENGINE

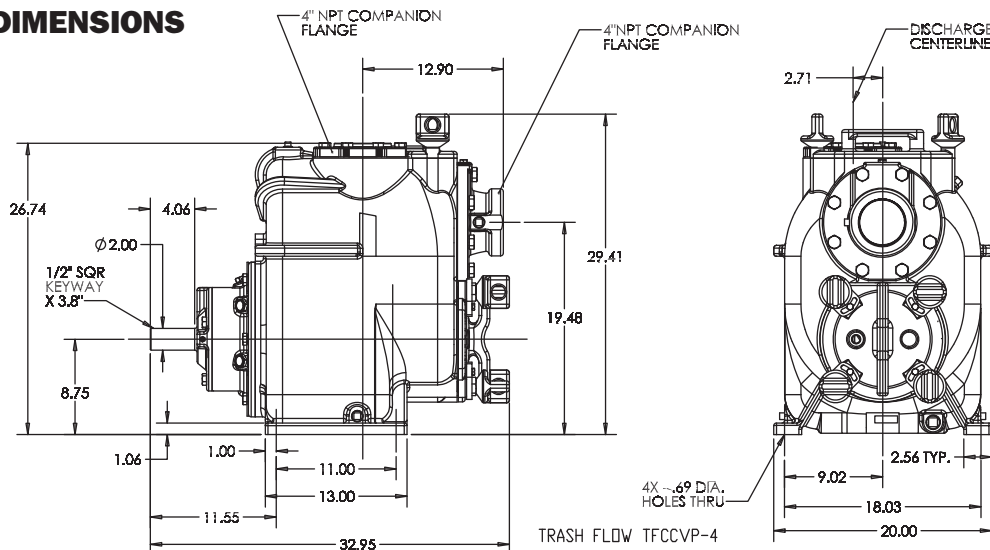
With our trailer or skid mounted diesel engine trash pumps, you'll get a DOT approved solutions for mobile wastewater transfer

Pump Size	4" x 4" (101 x 101 mm)
Pump Casing	Cast Iron Class 30
Operating Pressure	Maximum 120 psi (797 kPa)
Impeller	Open type, two vane. Material: Ductile Iron Pumps 3" (76,2 mm) spherical solids
Impeller Shaft	ANSI 4140 HT
Wear Plate, Replaceable	Hardened Steel
Cover Plate	Removable/Adjustable Cast Iron Class 30
Flapper Valve	Neoprene with steel reinforcing ring
Bearing Housing	Cast Iron
Seal Plate	Cast Iron
Shaft Sleeve	ANSI 17-4PH SST
Radial Bearing	Open single ball
Thrust Bearing	Open double ball
Bearing/Seal Cavity Lubrication	SAE No. 30 oil
Flanges	125# Ductile Iron ANSI or DIN
Gaskets	Buna-N, compressed synthetic fibers, vegetable fiber, PTFE, cork, and rubber
O-Rings	Buna-N Teflon coated
Hardware	Plated steel/grade 8/SST
Pressure Release Valve	Brass
Oil Level Sight Gauges	Bearing and Seal Cavity
Net Weight	625 lbs/283KG
Optional Equipment and Materials:	Stainless Steel. Automatic air release valve, 120V/240V casing heater. High pump temperature shutdown kit, moisture probe, gauge kit, NPT & DIN standard suction and discharge flanges. Other elastomers available.

Seal Specifications: Mechanical oil-lubricated, double floating, self-aligning seal. Titanium & Tungsten Carbide rotating and stationary faces. Stainless steel metal components. Maximum temperature of liquid pumped 180°F/83°C.

Note: Consult factory for applications exceeding maximum pressure and/or temperature indicated.

BARE PUMP DIMENSIONS



Dimensions and weight are approximate. Wastecorp Pumps reserves the right to make changes in design, materials and operating ranges without notice.

TRASH FLOW®
SELF PRIMING TRASH PUMPS

TFCC-VP-4™

4"x4"



WASTECORP.
Pumps®

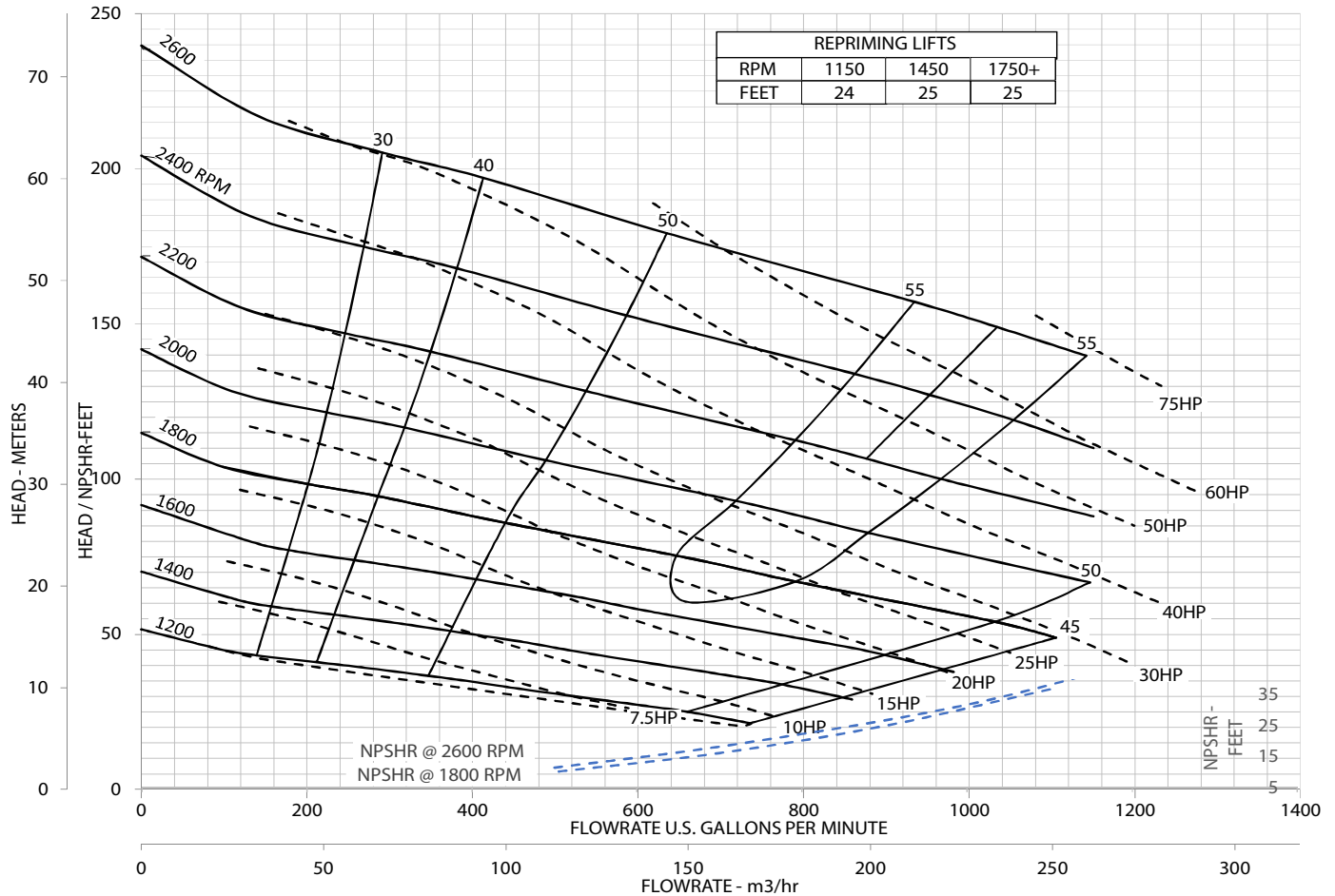
PERFORMANCE CURVES

Model: TFCC-VP-4

Impeller Dia: 9.75"

Speed: Variable

Solids Size: 3"



Wastecorp Pumps USA
P.O. Box 70
Grand Island, New York 14072 | USA
Tel: 888.829.2783 | Fax: 888-883-3320
sales@wastecorp.com

Wastecorp Pumps Canada Inc.
50 Shorncliffe Road
Toronto, ON Canada M8Z 5K1 | Canada
Tel: 416.233.3000 | Fax: 416.233.2300
info@wastecorp.com

Wastecorp Pumps International
P.O. Box 70
Grand Island, New York 14072 | USA
Tel: 201.445.2882 | Fax: 201.445.3252
techsupport@wastecorp.com