

## THE TVP-500™ DELIVERS HIGH SUCTION PERFORMANCE YOUR NEED A SUPER DUTY.®

The TVP-500-SL, manufactured by Wastecorp Pumps is a 500 US gallon capacity slide-in or stationary vacuum pump and containment system. This system can be mounted on a truck chassis, in a box truck or on concrete. Designed to pump septic waste, grease trap waste, wastewater, construction site waste, government applications, facilities management and site remediation services.

### FEATURES

- Heavy duty frame with optional forklift pockets
- Several vacuum pump options available
- Heavy duty steel tank with sight eyes and manway options
- Rugged construction with heavy duty frames and axles so your machine will outlast
- Fast tank emptying with reverse flow available
- Premium hoses available in a variety of lengths

### THE SUPER DUTY IS MADE FOR

- Septic waste pumping
- Portable toilet servicing
- General wastewater cleanup
- Clean out car wash sediment pits
- Storm drain, catch basin pumping and cleaning
- Septic tank pumping

## TVP-500-S SPECIFICATIONS

Model	TVP-500-SL (127)	TVP-500-SL (230)	TVP-500-SL (350)
Vacuum/Pressure	127CFM	230 CFM	350 CFM
Typical applications	Grease Trap & Portable Toilets	Septic Tank / Sump Pits /	Heavy Drilling fluids
Part Number	65921-00	65921-05	65921-70
<b>Tank</b>			
Capacity	500 US Gallons		
Base Frame	Heavy Duty Fabricated Steel		
Tank Material	A36 Carbon Steel		
Sight Eyes	(2) 5" Glass		
Manway	25" Rear Mount Swing Door		
Hose Rack	(2) Hooks on rear or side of tank		
<b>Engine</b>			
Gas Engine	9 hp Honda/Kohler Gas E-Start	14 hp Honda/Kohler Gas E-Start	24 hp Honda/Kohler Gas E-Start
Optional Engine	10 hp Hatz Diesel E-Start	17 hp Kohler Diesel E-Start	24 hp Kohler/Deutz Diesel E-Start
Power Transmission	Belt Driven		
<b>Hoses</b>			
Suction Hose	2" or 3" x 30 ft Non-Collapsible with Alum. Camlock Fittings (longer lengths available)		
Discharge Hose	2" or 3" 10 ft Layflat with Alum. Camlock Fittings (longer lengths available)		
<b>Port Sizes</b>			
	2" Lever Valve with Camlock	3" Lever Valve with Camlock	3" Lever Valve with Camlock
Off-Load Port Size	3" Lever Valve with Camlock	4" Lever Valve with Camlock	4" Lever Valve with Camlocks
Suction Vac Wand:	5 ft PVC Pipe with 90° Camlock		
<b>Overall (Approximate)</b>			
Dry Weight (lb):	1550-2100 lbs		
Loaded (water)	5700-6300 lbs		

Get superior high suction performance with the Super Duty TVP-500-SL Series. Designed for septic waste, grease trap pumping, wastewater transfer, construction sites, government applications, facilities management and site remediation services. Available in either stationary, slide in or trailer mounted units.

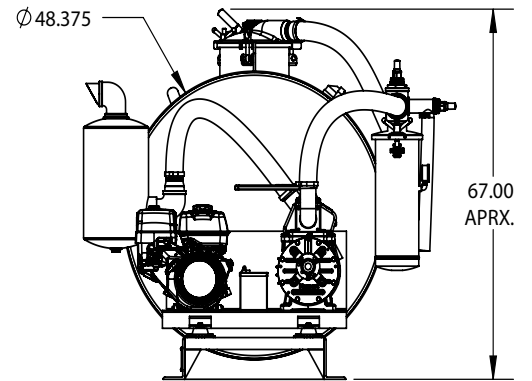
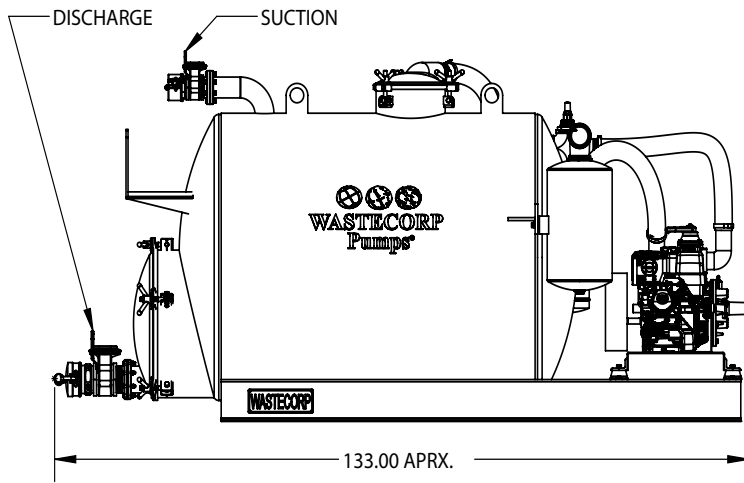
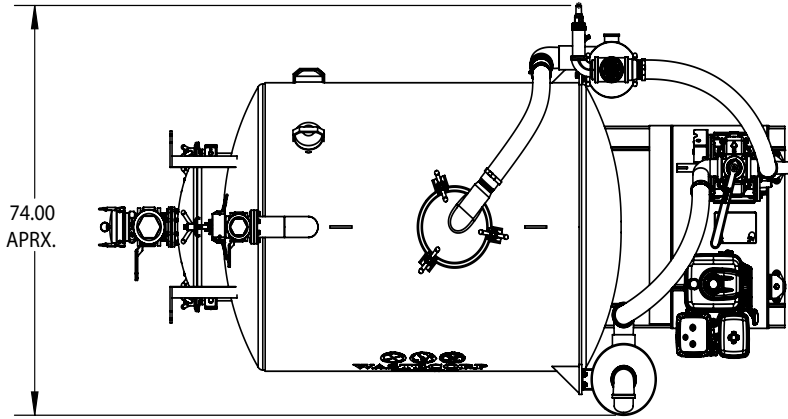
### Slide-In Units

Slide in units are specialized vacuum systems that connect to the frame of a truck or to the interior of a pick up, box truck or dump truck. There are specific connection points to allow for installation.

### Stationary

Stationary vacuum systems are capable of bolting to a concrete pad, dock or on land.

## TVP-500-S Dimensions



Ship to you or pick up at our factory

# BUILD OPTIONS

## CFM Vacuum Power

CFM or cubic feet per minute relates to vacuum suction power. Wastecorp offers several CFM options. Our industry leading standard CFM is 127, 230 CFM, 350 CFM and higher are also available. We also offer blower packages for hydro excavation,

127 CFM

---

230 CFM

---

350 CFM

---

## Engine Options

Wastecorp offers electric, gas and diesel power options for Super Duty Vacuum Systems.

Gas

---

Electric

---

Diesel

## Dual Compartment Options

Select either waste only tanks or waste plus water compartments.



Wastecorp uses premium steel tanks that stand the test of time. We offer dual compartment waste and water or external polyethylene water tanks (your choice)

## Jetter Options

Expand the capabilities of your system with both waste collection and water jetting function. Jetters are ideal for cleaning catch basins, sewer pipes and general facilities maintenance.



Several jetter packages available to meet your job site needs.

## Optional Equipment



### Rear Manway

Designed to allow for easy maintenance and cleaning of tank interior.



### Custom Tank Positions

Working on a slope or have unique tank positioning requirements? Wastecorp can help with that. We can position the tank at most angles and include ladders as well.



### Automated or Spring Loaded Hose Reel

Make retracting and organizing your hoses easier with automatic or spring loaded hose reels. Available in 50, 100 or 150 ft lengths



### Electric Driven Motor With Control Panel

Using your vacuum pumping system indoors or have a power source? Wastecorp offers an electric model with heavy duty industrial hose reel.

## SUPER DUTY® VACUUM PUMPS

Designed and Manufactured by Wastecorp Pumps in USA and/or Canada.

Toll-Free: 1.888.829.2783 Email: [info@wastecorp.com](mailto:info@wastecorp.com)  
International: +1-201-445-2882