

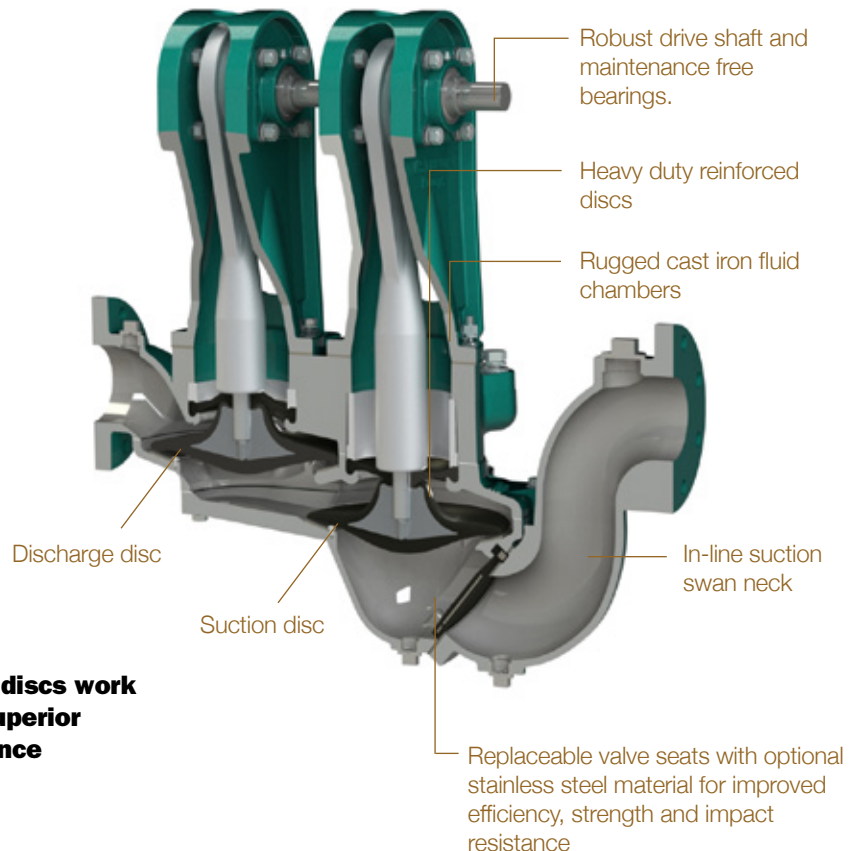
FOR TOUGH PUMPING JOBS, NOTHING BEATS A SLUDGE PRO PUMP

- No regular maintenance required
- Runs dry without damage
- Maintain-in-place Guide Pilot®
- Seal-less, gland-less design
- No packing or mechanical seals
- Low shear positive displacement performance
- No close tolerances
- Low friction design
- No rubbing action, allows pump to transfer highly abrasive slurries



GENERAL APPLICATIONS

- Primary sludge pump
- Thickened sludge transfer
- Scum transfer
- Rotary press feed
- Screw press feed pump
- Waste activated sludge
- Belt filter press feed
- Industrial slurry and sludge transfer
- Centrifuge feed
- Food process slurries



Induced double acting discs work in unison to achieve superior non-clogging performance



TECHNICAL SPECIFICATIONS

Model	Sludge Pro® 10DDMK
Connection Size	10" 150# Flanged
Typical Flow Range	0-1650 GPM
Solids Handling	Up to 2½" solids
Max. Discharge Head	75 psi
Operating Speed	up to 400 RPM

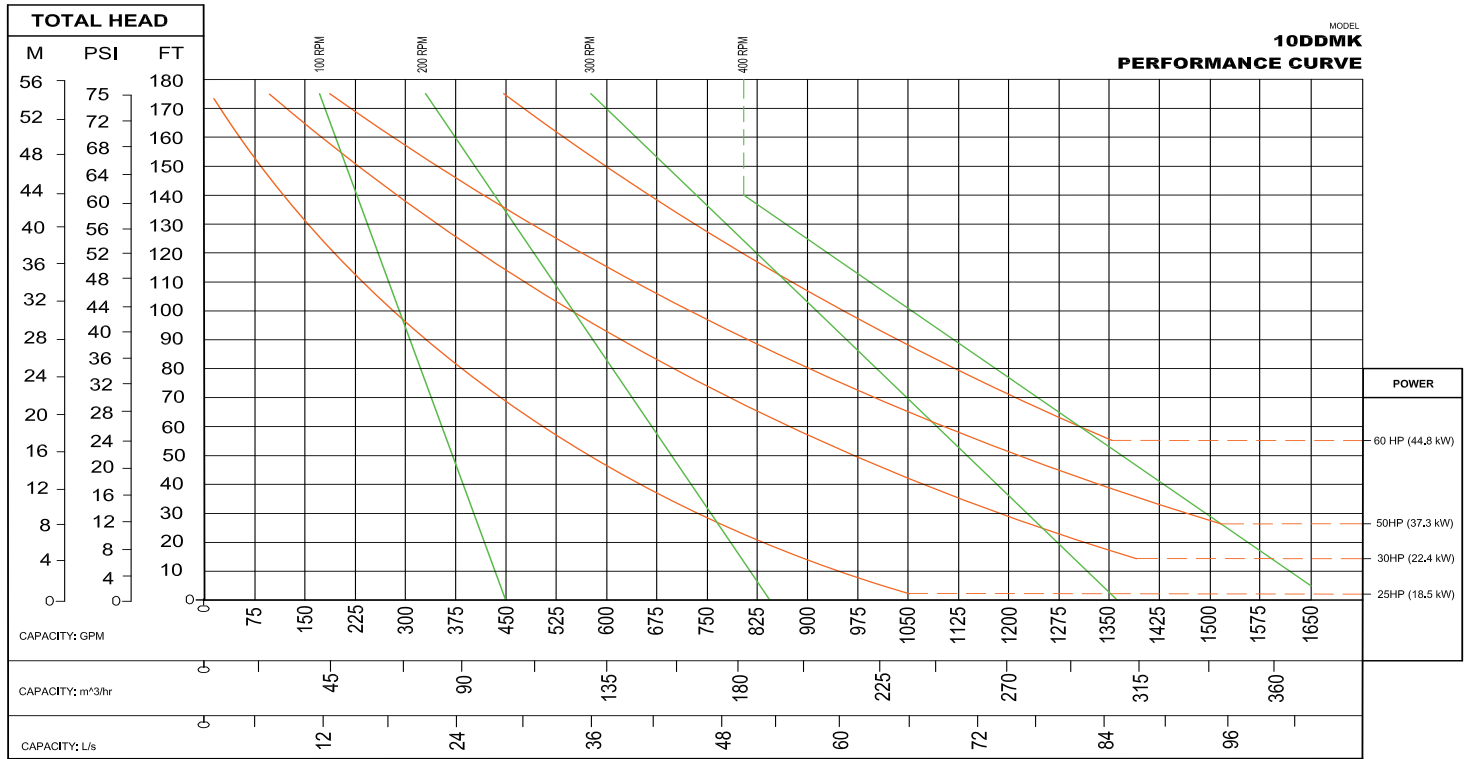
MATERIALS OF CONSTRUCTION

	Standard	Optional
Trunnions & Discs	Neoprene (TPE) -10°F to 200°F	Buna-N® +10°F to +180°F Viton® -40°F to +350°F HNBR® +10°F to +220°F EPDM +10°F to +280°F
Includes multi-layer fabric reinforced internals		
Pump Bodies & Swan Neck	Cast iron	
Clack Valve	Neoprene	Buna-N, Viton, EPDM, HNBR
Pedestal Tower	Aluminum	
Eccentric	Bronze alloy	
Pump Shaft	416 Series Stainless steel	
Connecting Rods	Aluminum	
Base Frame	Heavy Duty fabricated steel	304SS, 316 SS, Galvanized Steel,

DRIVE & MOUNTING SYSTEM OPTIONS

Standard: Side mount belt driven	Electric Motor
Optional	Piggy back or direct drive rotating frame, hydraulic, engine or pneumatic

PUMP CURVE



SUCTION LIFTS

Dry Prime: 7' (2.2m)
 Re-prime: 18' (5.5m)
 Flooded Suction: 28' (8.5m)

MODEL: 10DDMK

SIZE: 10" x 10"

RPM: VARIOUS

SP. GR.: 1.0 @ 68°F

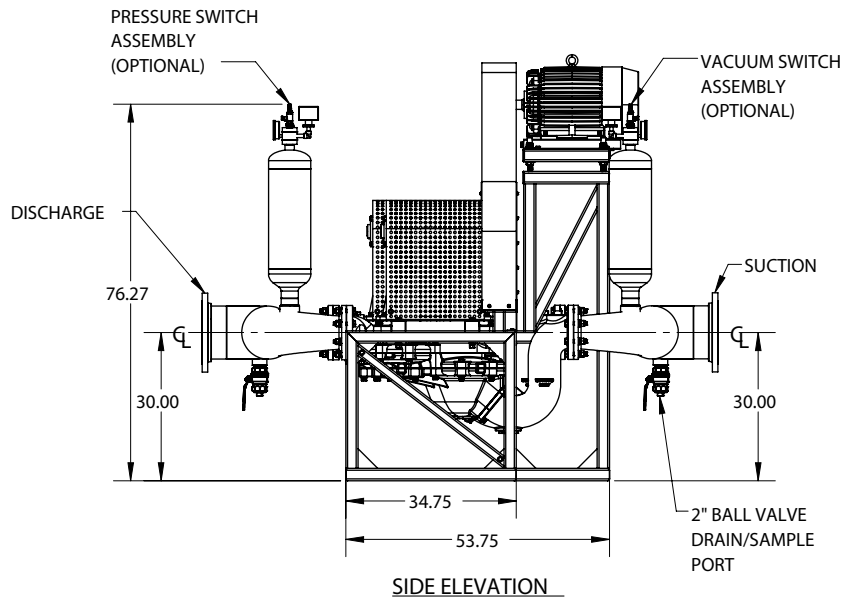
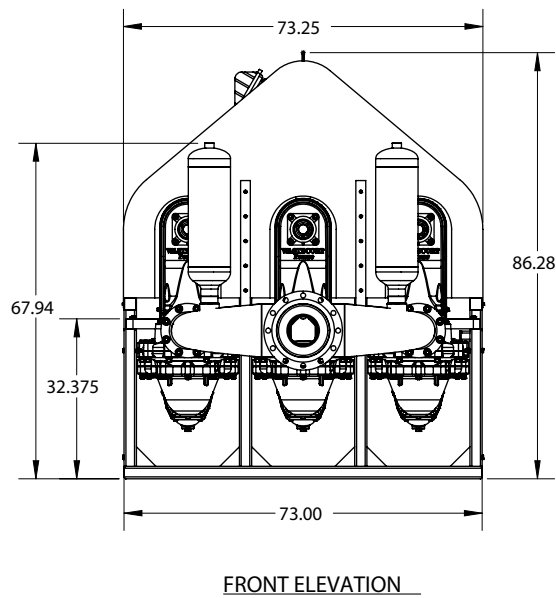
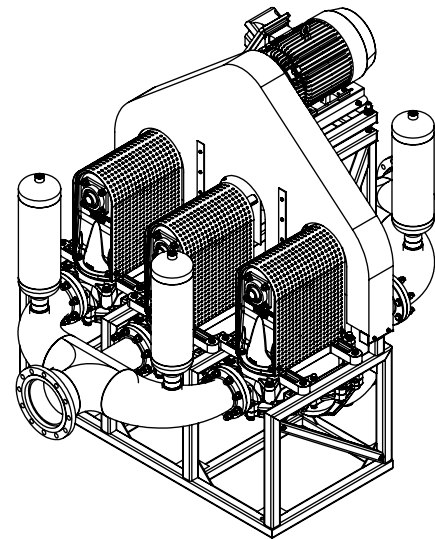
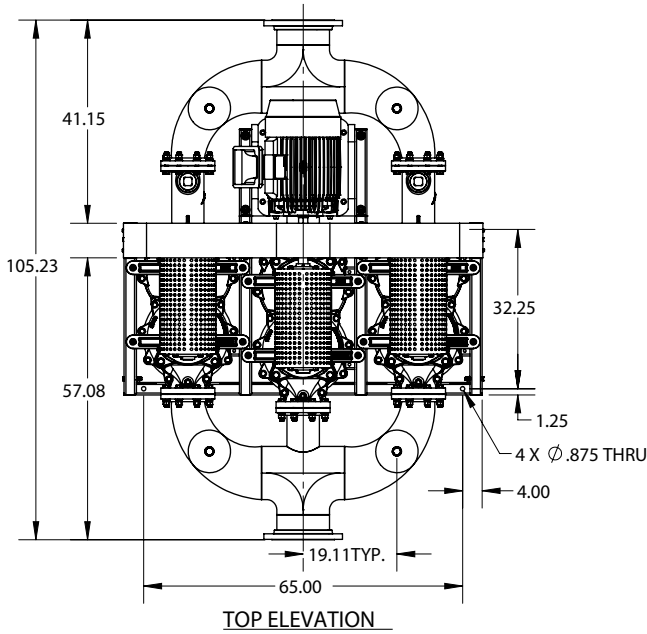
SOLID PASSAGE: Ø 2-1/4"

Displacement Per Stroke: 3.36 gal/rev @ 60 ft/ 200 rpm

Sludge Pro® and Wastecorp® are registered trademarks of Wastecorp Pump Co. Specifications and dimensions are subject to revision without notice. Wastecorp is not liable for any inaccuracies or omissions. Wastecorp is not liable for any consequential, incidental or indirect damages resulting from these specifications or their use.

Curve based on water (specific gravity = 1.0), with 10 foot static lift. The performance curve shown were taken from actual tests of standard production pumps, and reflect an average performance of the pump indicated.

APPROXIMATE PUMP DIMENSIONS - SIDE MOUNT BELT DRIVEN (STANDARD)



Approximate Equipment Weight: 8500 lbs.