



WASTECORP. Pumps®

Trash Flow® Dry Prime Pumps
TFVH 10x8-M™ Series
Automatic Self-Priming
Dry Prime Venturi Technology

FEATURES

UP TO 8400 GPM
PUMPING CAPABILITIES

MAX. HEAD TO 410 FT.

UP TO 3.6" SOLIDS
HANDLING CAPABILITIES

10" X 8" ANSI
CONNECTIONS

UP TO 176° F FLUID
TEMPERATURE

MADE AND ASSEMBLED
IN THE USA AND/OR
CANADA

OPTIONAL ACCESSORIES

WASTECORP IS AN ISO
9001, 14001 CERTIFIED
DRY PRIME PUMP
MANUFACTURER



THE NEW STANDARD FOR DRY PRIME PUMPS MEET TRASH FLOW® TFVH-10x8™ SERIES

Trash Flow Dry Prime pumps are built for emergency bypass and dewatering applications. The unique oil bath technology, ensures that the mechanical seal is always lubricated in its own chamber. This safeguard allows the pump to run dry indefinitely without damage. Trash Flow TFVH Series pumps can pass up to 3.6" spherical solids and produce suction lifts to 28 Ft. This enhanced priming system, minimizes effluent discharge into the environment.

PROFESSIONAL DRY PRIME PUMPS - HIGH QUALITY. QUICK DELIVERY.



VENTURI AIR EJECTOR PRIMING SYSTEM

Wastecorp's intelligent priming system, uses a Quincy compressor to rapidly evacuate air from the suction line which is exhausted to atmosphere. Liquid replaces the air, automatically priming the pump within seconds. The result is fast, efficient and environmentally friendly pump system.



CUSTOMIZE YOUR TRASH FLOW DRY PRIME THE WAY YOU NEED IT.

With Wastecorp, you get a host of options to customize your dry prime pump the way you need it. Select from diesel, electric or natural gas motors, sound attenuated enclosures, trailer or skid mount, float regulator systems and much more. Wastecorp's dry prime specification is designed to meet or exceed any equivalent manufacturer.



HUSHER™ SERIES - SOUND ATTENUATED HUT

For pumping in residential areas or where reduced noise is critical, Wastecorp offers the Trash Flow TVP Husher Series. This sound attenuated lockable enclosure reduces noise to 68 dBa @ 7 Meters which complies with most local regulations. A Wastecorp technical support representative can help you select the correct Husher for your application.

Trash Flow® Dry Prime Pumps

TFVH 10X8-M™ Series

Automatic Self-Priming
Dry Prime Venturi Technology



3.6" solids handling impeller

Diesel, electric, or natural gas
powered engines available

Instrument Panel includes oil
pressure gauge , amp, hour
and tachometer

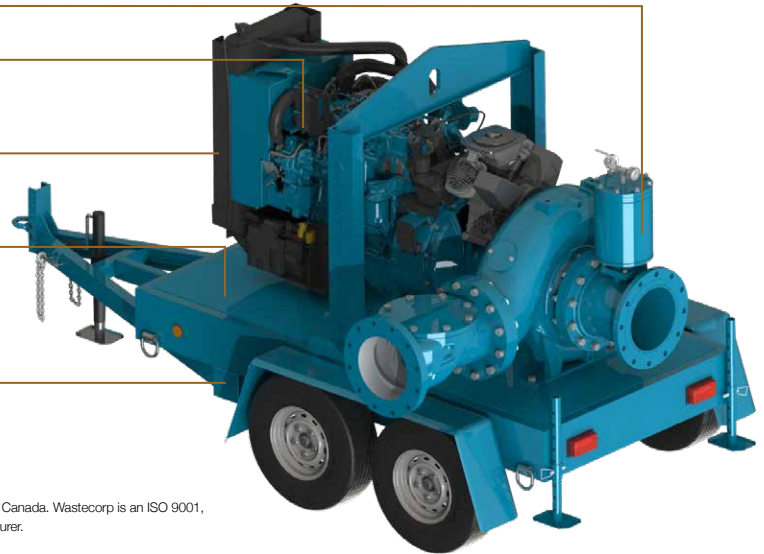
Up to 205 gallon fuel tanks available

Simple maintenance

Trailer mounted or skid mounted
models available

**Also available with Husher silent
pumping package for pumping
in residential areas.**

Manufactured in the United States and/or Canada. Wastecorp is an ISO 9001,
14001 certified dry prime pump manufacturer.



Available Options

- Auto-Start for unattended 24 - hour operation (Lofa 750 Panel)
- Level regulator float system
- Highway Trailer or Skid Mount
- Sound Attenuated Lockable Enclosure (68 dBa @ 7 Meters)
- Diesel engine, electric motor or natural gas drive systems
- **Optional engines and hp available contact factory**

Pump Specifications

Suction connection	10"
Discharge connection	8"
Max capacity	8400 GPM †
Max solids handling	3.6"
Max casing pressure	150 psi
Max Temperature	176°F*
Max Head	410 ft.
Max operating speed	2000 rpm

Engine Specifications

Certification	Final Tier 4 Water Cooled or Interim Air Cooled
Fuel Tank	205 gallons
Instrument Panel	Oil pressure gauge , amp, hour and tachometer

Materials of Construction

	Standard	Optional
Impeller	CA6NM SS	CD4MCu
Wear Ring	Ductile Iron	316 SS
Shaft	17-4 PH	
Casing	Ductile Iron	CD4MCu
Bearing Frame	Ductile Iron	CD4MCu
Mechanical Seal	High Pressure liquid oil bath with high abrasion resistant solid carbon faces.	

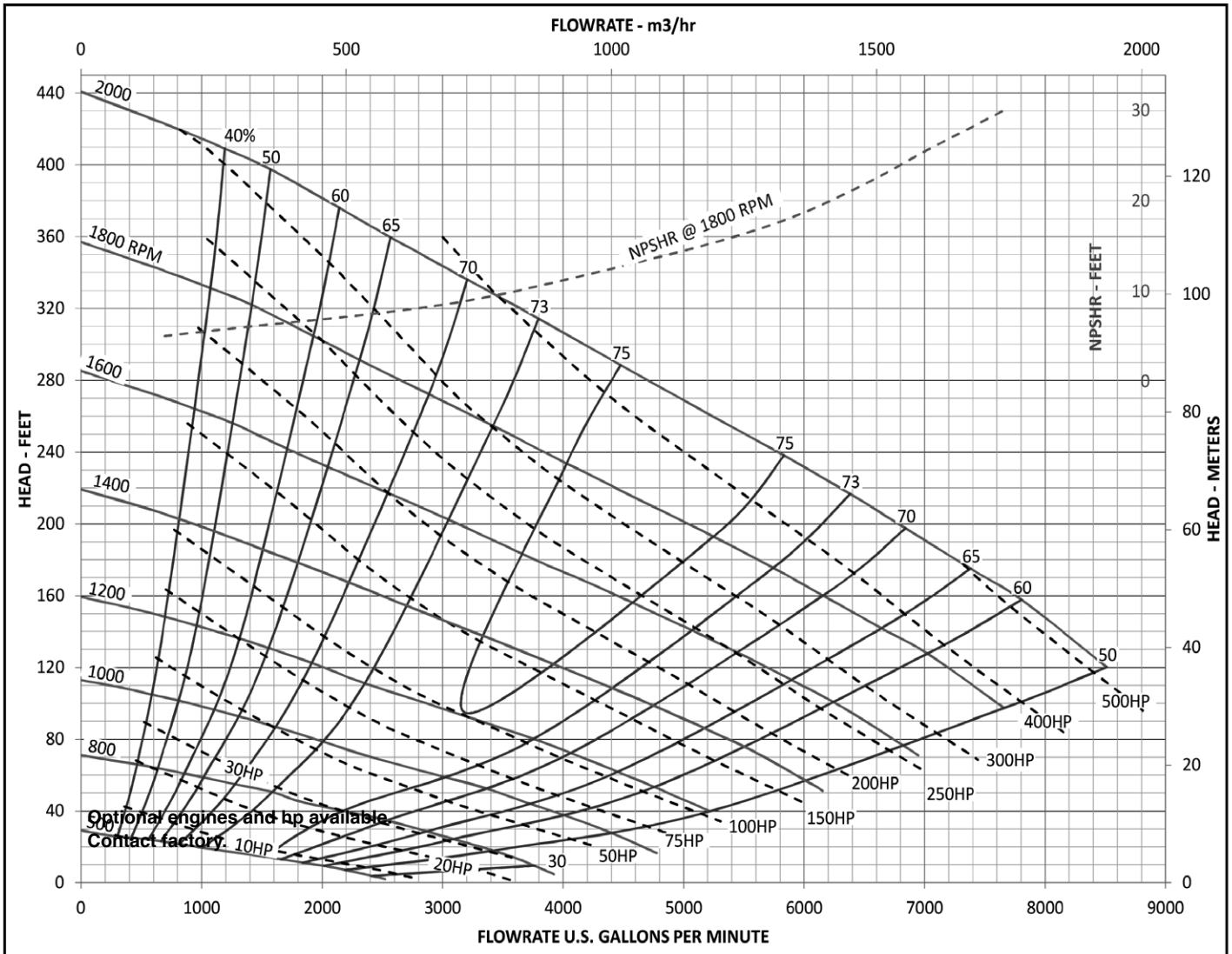
Trash Flow® Dry Prime Pumps

TFVH 10X8-M™ Series

Automatic Self-Priming
Dry Prime Venturi Technology



TFVH 10X8 Performance Curve



Specifications and illustrations are subject to revision without notice. Wastecorp makes no representation regarding the completeness or accuracy of this information and is not liable for any consequential, incidental or indirect damages relating to these specifications.



Wastecorp Pumps USA
P.O. Box 70
Grand Island, New York 14072 | USA
Tel: 888.829.2783 | Fax: 888.883.3320
sales@wastecorp.com

Wastecorp Pumps Inc.
50 Shorncliffe Road
Toronto, Ontario M8Z 5K1 | Canada
Tel: 416.233.3000 | Fax: 416.233.2300
info@wastecorp.com