



1000 GALLON CAPACITY. GALVANIZED TRAILER NO DEDICATED TRUCK REQUIRED.

Are you looking for a high capacity septic pumper or grease trap waste pumping equipment? Look no further than the TVP-1000 Series vacuum truck manufactured by Wastecorp Pumps. With 1000 US gallon capacity you can pump out septic tanks, grease trap waste for larger institutions like hospitals, prisons, college campuses, government buildings and military bases. You can also configure your system with a water jet function or blower package for hydro excavation.

FEATURES:

- Premium galvanized trailer system with diamond plate deck
- Several vacuum pump options available
- Heavy duty steel tank with sight eyes and manway options
- Rugged construction with heavy duty frames and axles so your machine will outlast
- Fast tank emptying with reverse flow available
- Premium hoses available in a variety of lengths

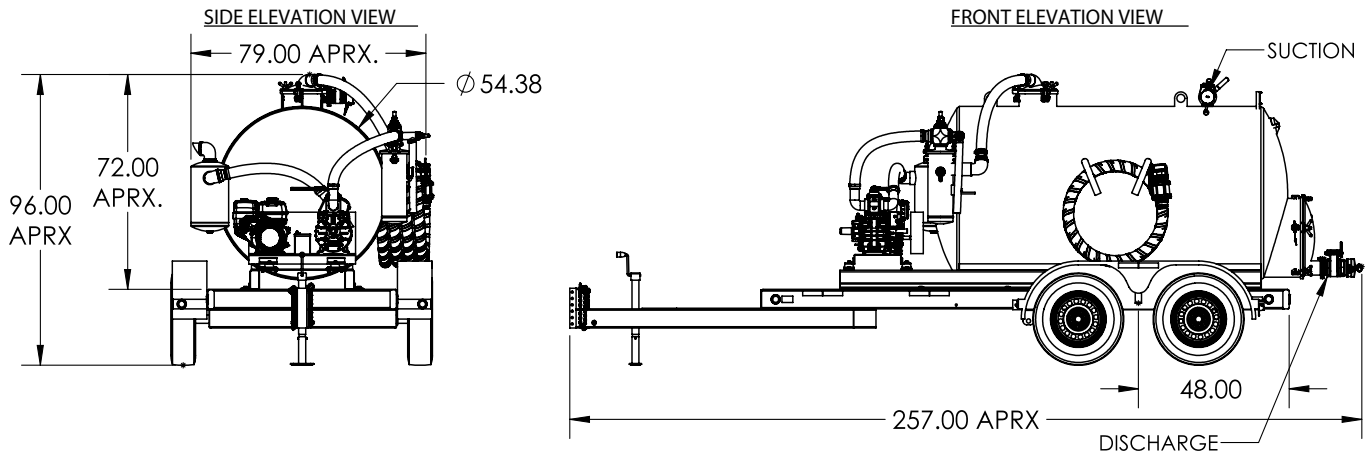
THE SUPER DUTY IS MADE FOR:

- Septic waste pumping
- Hydro Excavating*
- Jetting Applications**
- Portable toilet servicing
- General wastewater cleanup
- Clean out car wash sediment pits
- Storm drain, catch basin pumping and cleaning

TVP-1000 SPECIFICATIONS

Model	TVP-1000-DT(127)	TVP-1000-DT(230)	TVP-1000-DT(350)	
Vacuum/Pressure	127CFM	230 CFM	350 CFM	
Typical applications	Grease Trap & Portable Toilets	Septic Tank / Sump Pits /	Heavy Drilling fluids	
Part Number	65188-12	65188-10	65188-60	
Tank				
Capacity	1000 US Gallons			
Base Frame	Heavy Duty Fabricated Steel			
Tank Material	A36 Carbon Steel			
Sight Eyes	(2) 5" Glass			
Manway	25" Rear Mount Swing Door			
Hose Rack	(2) Hooks on rear of tank			
Engine				
Gas Engine	9 hp Honda/Kohler Gas E-Start	14 hp Honda/Kohler Gas E-Start	24 hp Honda/Kohler Gas E-Start	
Optional Engine	10 hp Kohler Diesel E-Start	17 hp Kohler Diesel E-Start	24 hp Kohler/Deutz Diesel E-Start	
Power Transmission	Belt Driven			
Trailer				
Trailer Specs	Galvanized, tandem axle, e-brakes, jack stand, LED lighting, alum. checker plate deck			
Hitch	Select: 2" Ball, 2 5/16" ball, 3" Pintle			
Wheels	Galvanized spoke			
Tires	ST235/80R16			
Jackstand	7,000 lbs			
Trailer and brake supply	DOT approved 7 way connector			
Lighting System	DOT approved LED			
Safety Chains	DOT approved zinc-plated w/two clevis grab hooks			
Hoses				
Suction Hose	30 ft Non-Collapsible with Alum. Camlock Fittings (longer lengths available)			
Discharge Hose	10 ft Layflat with Alum. Camlock Fittings (longer lengths available)			
Port Sizes				
	2" Valve with Camlock	3" Lever Valve with Camlock	3" Lever Valve with Camlock	3" Lever Valve with Camlock
Off-Load Port Size	3" Lever Valve with Camlock	4" Lever Valve with Camlock	4" Lever Valve with Camlocks	4" Lever Valve with Camlocks
Suction Vac Wand:	5 ft PVC Pipe with 90° Camlock			
Overall (Approximate)				
Dry Weight (lb):	4200 lbs			
Loaded	13000 lbs			
GVWR	14000 lbs			
Trailer Dimensions	19'2"L x 6'10" W x 96"H,			
Underclearance	12" at axle			

TVP-1000 Dimensions



BUILD OPTIONS

CFM Vacuum Power

CFM or cubic feet per minute relates to vacuum suction power. Wastecorp offers several CFM options. Our industry leading standard CFM is 127. 230 CFM, 350 CFM and 512 CFM are also available. We also offer blower packages for hydro excavation,

127 CFM

230 CFM

350 CFM

512 CFM

Engine Options

Wastecorp offers electric, gas and diesel power options for Super Duty Vacuum Systems.

Gas

Electric

Diesel

Tank Options

Select either waste only tanks or waste plus water compartments.



Wastecorp uses premium steel tanks that stand the test of time. We offer dual compartment waste and water or external polyethylene water tanks (your choice)

Jetter Options

Expand the capabilities of your system with both waste collection and water jetting function. Jetters are ideal for cleaning catch basins, sewer pipes and general facilities maintenance.



Several jetter packages available to meet your job site needs.

Optional Equipment



Rear Manway

Designed to allow for easy maintenance and cleaning of tank interior.



Work Light Package

Bright LED's for working in dark conditions. Beacon light and traffic diversion arrows (DOT compliant) available.



Storage Options

Fender Mounted locking storage compartment. Various lockable storage options to help deter theft and vandalism.



Tank Ladder

Allows easier access to top of the tank.



Tank Mounted Camera System

Reverse assistance wired into the cab of your truck



Generator (Electric Models)

Have back up power if needed for your electric vacuum trailer.

SUPER DUTY® VACUUM PUMPS

Designed and Manufactured by Wastecorp Pumps in USA and/or Canada.

Toll-Free: 1.888.829.2783 Email: info@wastecorp.com
International: +1-201-445-2882