

SUPER DUTY® VACUUM PUMPS

**TVP-1600™ Series**  
1600 Gallon Vacuum Trailer

**CALL 1-888-829-2783**

  
**WASTECORP**  
Pumps®

TVP-1600-DT shown with optional equipment.



## **INVEST IN YOUR PUMPING PRODUCTIVITY. INVEST IN QUALITY SYSTEMS.**

### **FEATURES:**

- 1600 US gallon steel tank
- Premium triple axle galvanized trailer system with diamond plate deck
- Several vacuum pump options available
- Heavy duty steel tank with sight eyes and manway options
- Rugged construction with heavy duty frames and axles so your machine will outlast
- Fast tank emptying with reverse flow available
- Premium hoses available in a variety of lengths

### **THE SUPER DUTY IS MADE FOR:**

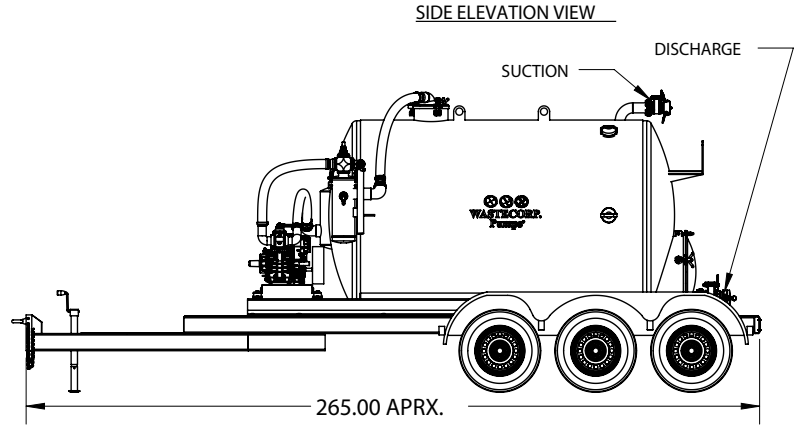
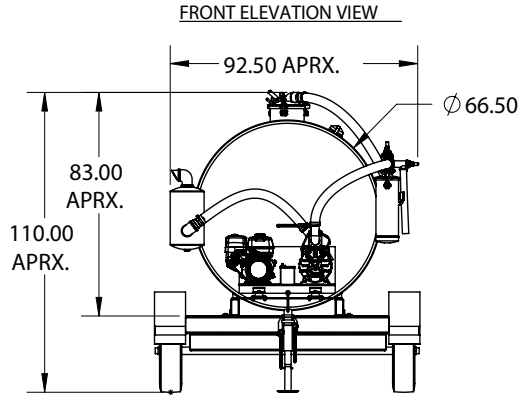
- Septic waste pumping
- Hydro Excavating\*
- Jetting Applications\*\*
- Portable toilet servicing
- General wastewater cleanup
- Clean out car wash sediment pits

\*/\*\* Additional Equipment and options required

# TVP-1600 SPECIFICATIONS

Model	TVP-1600-DT(230)	TVP-1600-DT(350)	TVP-1600-DT(532)
Vacuum/Pressure	230 CFM	363 CFM	532 CFM
Typical applications	Septic Tank / Sump Pits / Grease Trap & Portable Toilets	Heavy Drilling fluids, longer suction distances for Septic Tank / Sump Pits / Grease Trap & Portable Toilets	Hydro-Excavation / Hydrovac
Part Number	65822-00	65822-25	Call Factory
<b>Tank</b>			
Capacity	1600 US Gallons		
Base Frame	Heavy Duty Fabricated Steel		
Tank Material	A36 Carbon Steel		
Sight Eyes	(2) 5" Glass		
Manway	25" Rear Mount Swing Door		
Hose Rack	(2) Hooks on rear of tank		
<b>Engine</b>			
Gas Engine	14 hp Honda/Kohler Gas E-Start	24 hp Honda/Kohler Gas E-Start	Call Factory
Optional Engine	17 hp Kohler Diesel E-Start	24 hp Kohler/Deutz Diesel E-Start	Call Factory
Power Transmission	Belt Driven		
<b>Trailer</b>			
Trailer Specs	Galvanized, tandem axle, e-brakes, jack stand, LED lighting, alum. checker plate deck		
Hitch	Select: 2" Ball, 2 5/16" ball, 3" Pintle		
Wheels	Galvanized spoke		
Tires	ST235/80R16		
Jackstand	7,000 lbs		
Trailer and brake supply	DOT approved 7 way connector		
Lighting System	DOT approved LED		
Safety Chains	DOT approved zinc-plated w/two clevis grab hooks		
<b>Hoses</b>			
Suction Hose	30 ft Non-Collapsible with Alum. Camlock Fittings (longer lengths available)		
Discharge Hose	10 ft Layflat with Alum. Camlock Fittings (longer lengths available)		
<b>Port Sizes</b>			
Suction Port Size	2" Valve with Camlock	3" Lever Valve with Camlock	3" Lever Valve with Camlocks
Off-Load Port Size	3" Lever Valve with Camlock	4" Lever Valve with Camlock	4" Lever Valve with Camlocks
Suction Vac Wand:	5 ft PVC Pipe with 90° Camlock		
<b>Overall (Approximate)</b>			
Dry Weight (lb):	6250 - 6800 lbs		
Loaded (water)	19,500 - 20,000 lbs		
GVWR	21,000 lbs		
Trailer Dimensions	22'4"L x 7'13" W x 108"H		
Underclearance	12" at axle		

## TVP-1600 Dimensions



Front view



Side view



Rear view



DESIGNED AND MANUFACTURED BY WASTECORP PUMPS IN NORTH AMERICA.  
VISIT [WASTECORP.COM](http://WASTECORP.COM)

# BUILD OPTIONS

## CFM Vacuum Power

CFM or cubic feet per minute relates to vacuum suction power. Wastecorp offers several CFM options. Our industry leading standard CFM is 127, 230 CFM, 350 CFM and 532 CFM are also available. We also offer blower packages for hydro excavation,

127 CFM

---

230 CFM

---

350 CFM

---

532 CFM

## Engine Options

Wastecorp offers electric, gas and diesel power options for Super Duty Vacuum Systems.

Gas

---

Electric

---

Diesel

## Tank Options

Select either waste only tanks or waste plus water compartments.



Wastecorp uses premium steel tanks that stand the test of time. We offer dual compartment waste and water or external polyethylene water tanks (your choice)

## Jetter Options

Expand the capabilities of your system with both waste collection and water jetting function. Jetters are ideal for cleaning catch basins, sewer pipes and general facilities maintenance.



Several jetter packages available to meet your job site needs.

## Optional Equipment



### Rear Manway

Designed to allow for easy maintenance and cleaning of tank interior.



### Work Light Package

Bright LED's for working in dark conditions. Beacon light and traffic diversion arrows (DOT compliant) available.



### Storage Options

Fender Mounted locking storage compartment. Various lockable storage options to help deter theft and vandalism.



### Tank Ladder

Allows easier access to top of the tank.



### Tank Mounted Camera System

Reverse assistance wired into the cab of your truck



### Blower Package

If you're pumping thick/dry fluids or longer suction distances, then you need a high cfm blower package. Wastecorp technical support can help you select the right package

## SUPER DUTY® VACUUM PUMPS

Designed and Manufactured by Wastecorp Pumps in USA and/or Canada.

Toll-Free: 1.888.829.2783 Email: [info@wastecorp.com](mailto:info@wastecorp.com)  
International: +1-201-445-2882